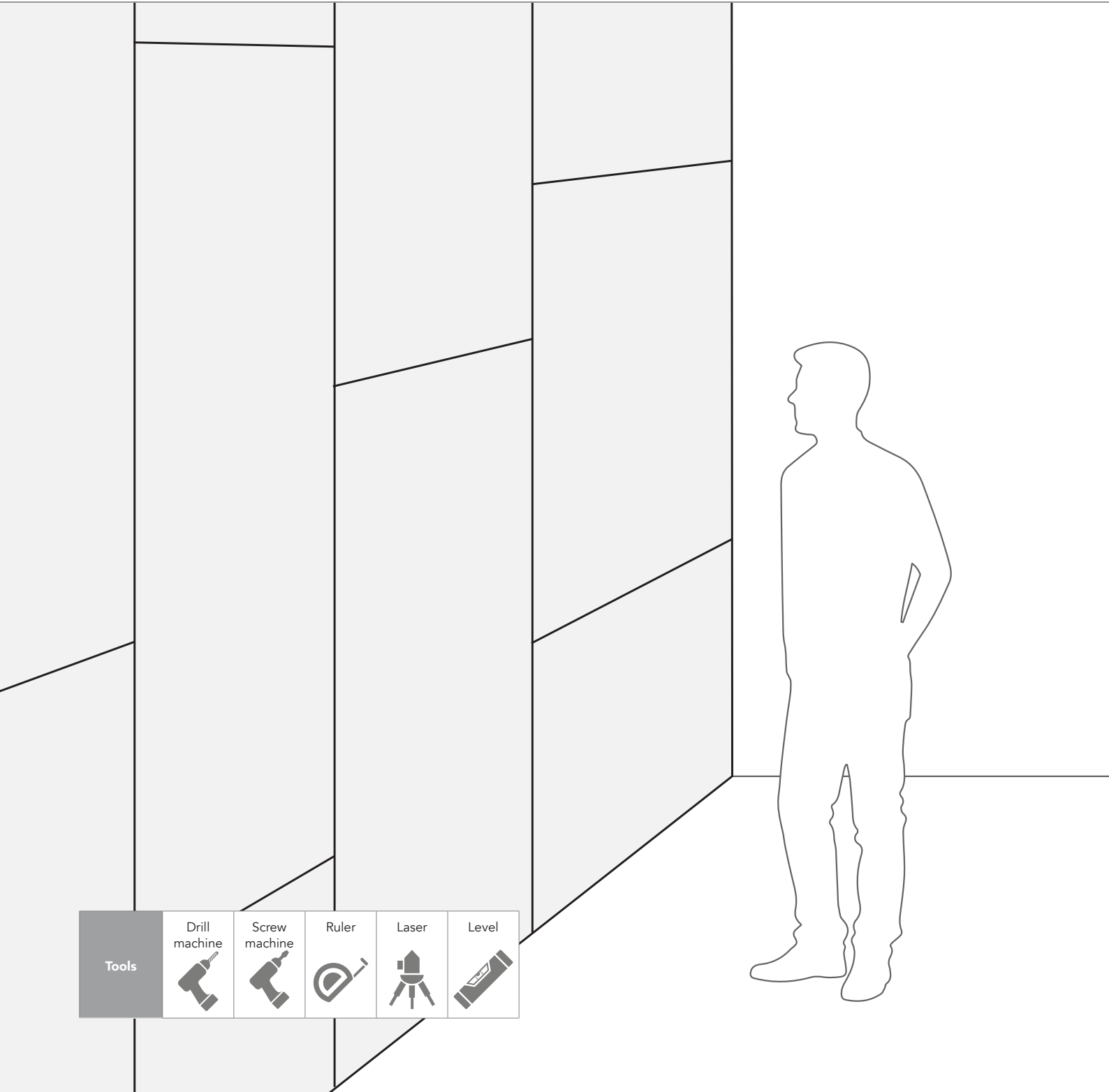
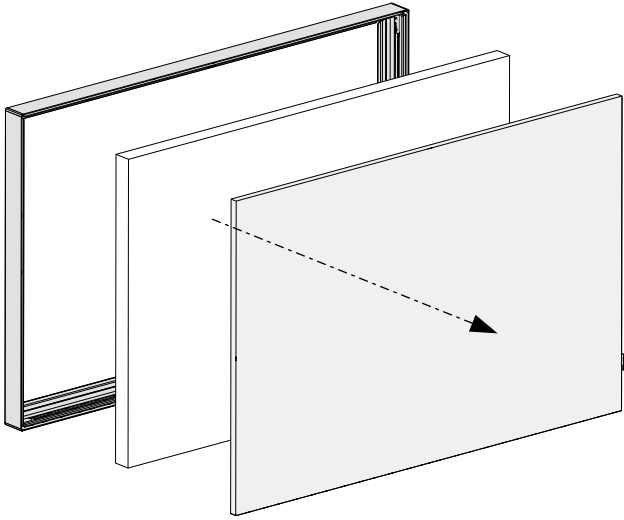


Rockfon Canva® Wall panel

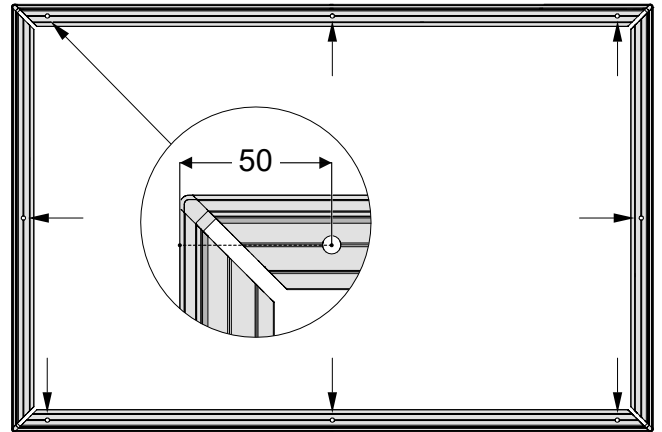


Installation (11 steps in total)

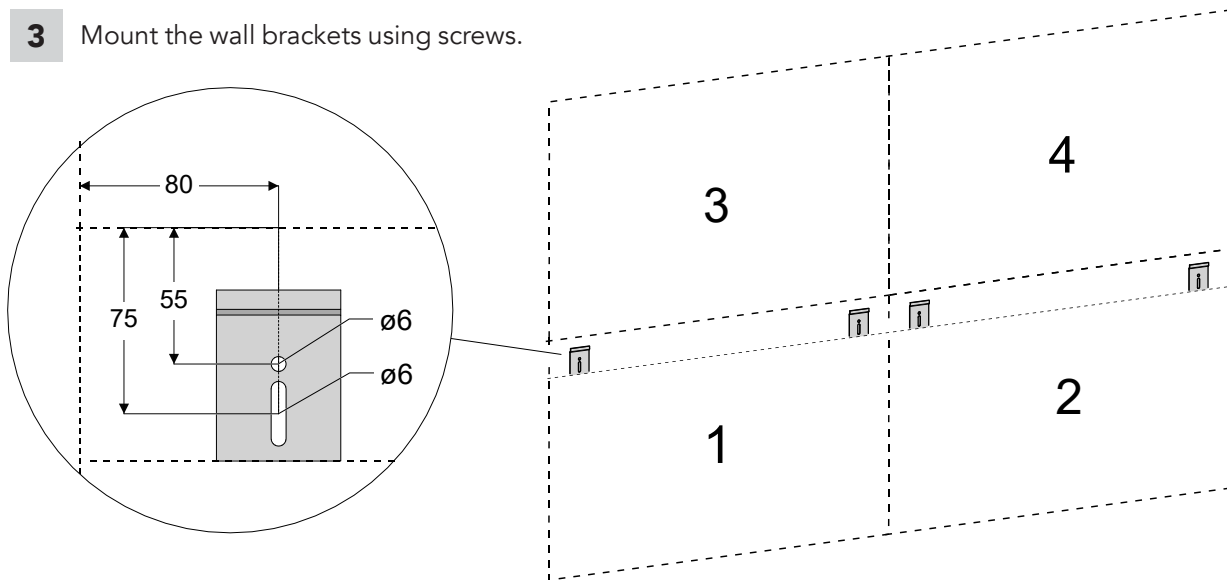
1 Remove the canvas and absorbent.



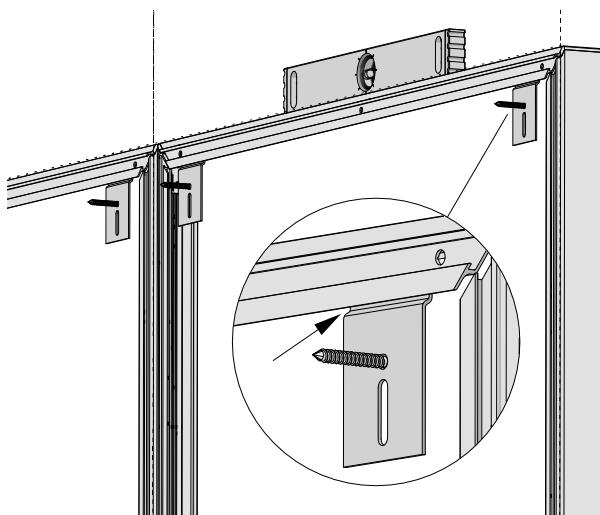
2 Drill screw holes in all profiles.



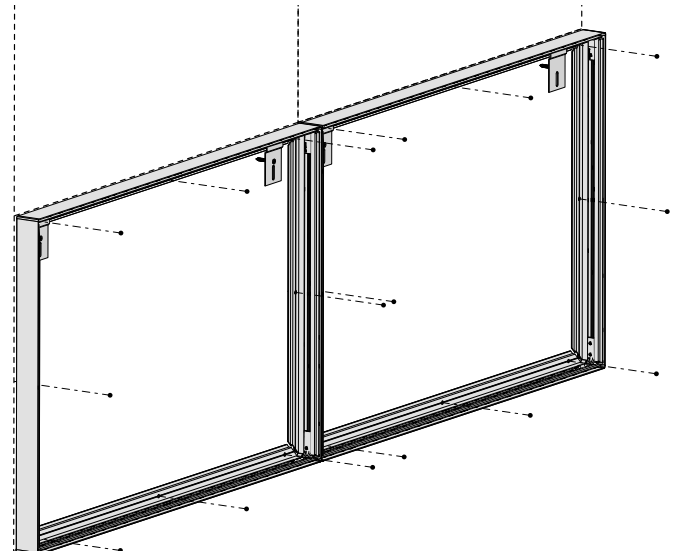
3 Mount the wall brackets using screws.



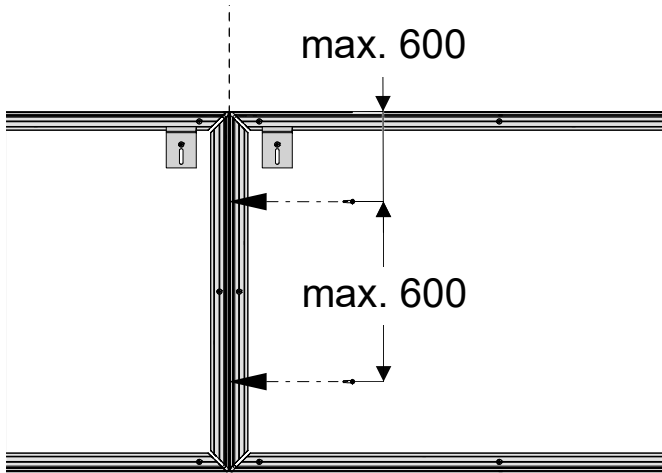
4 Mount the frames on the wall brackets.



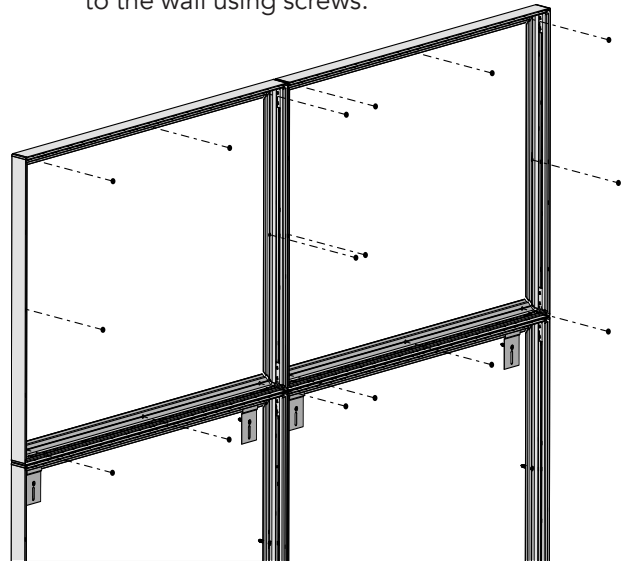
5 Secure the bottom frames to the wall using screws.



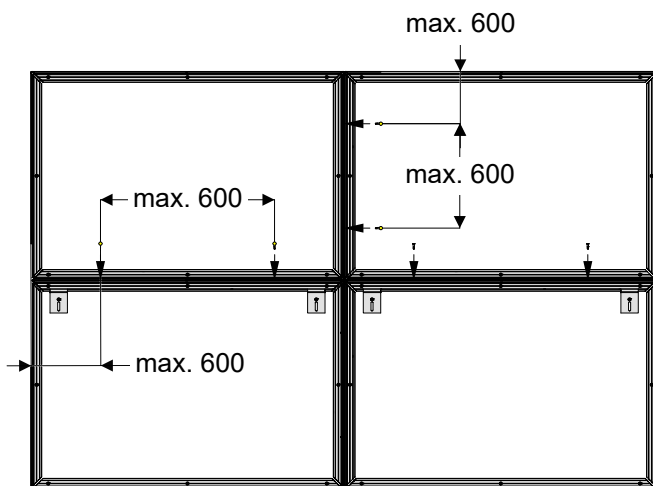
- 6** Fasten the frames together vertically with self drilling screws to prevent gaps.



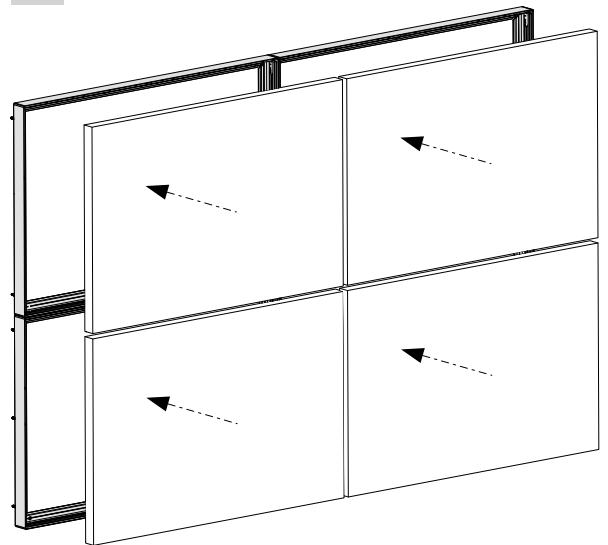
- 7** Secure the upper frames to the wall using screws.



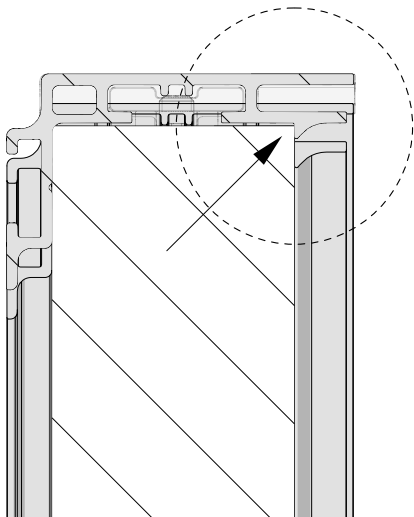
- 8** Fasten the frames together (horizontally & vertically) with self drilling screws to prevent gaps.



- 9** Insert the absorbers.



- 10** Place the absorbers firmly within the frame.



- 11** Attach the canvases.

