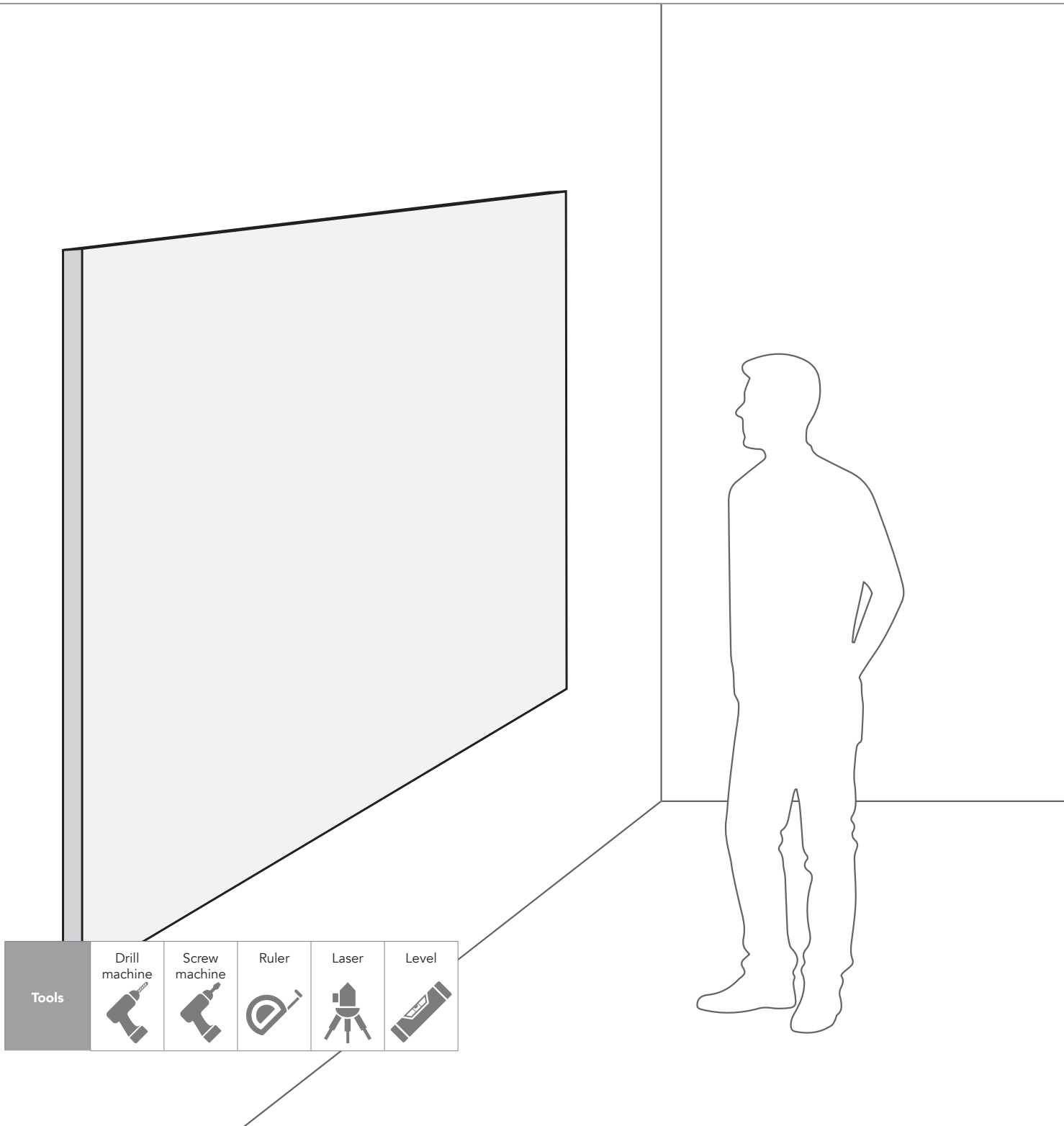
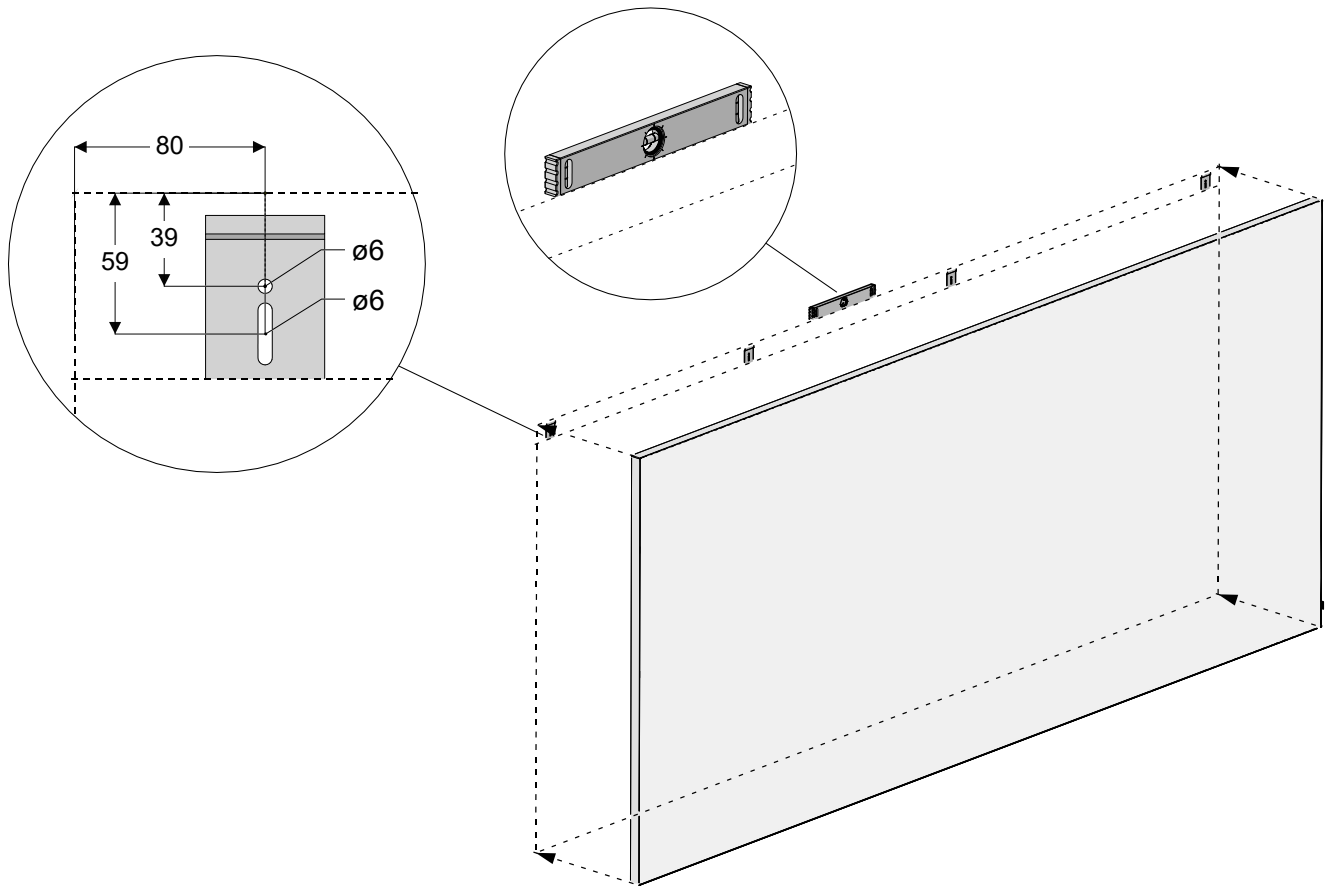


Rockfon Canva® Wall panel

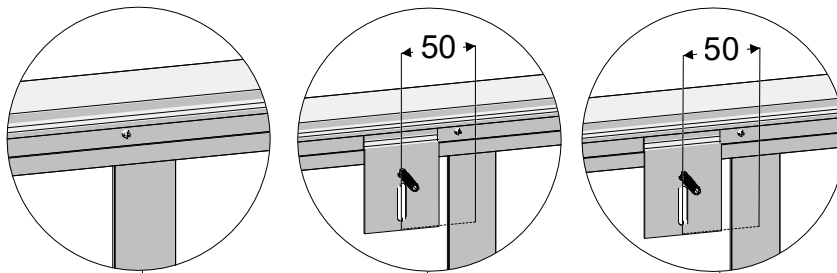


Installation (4 steps in total)

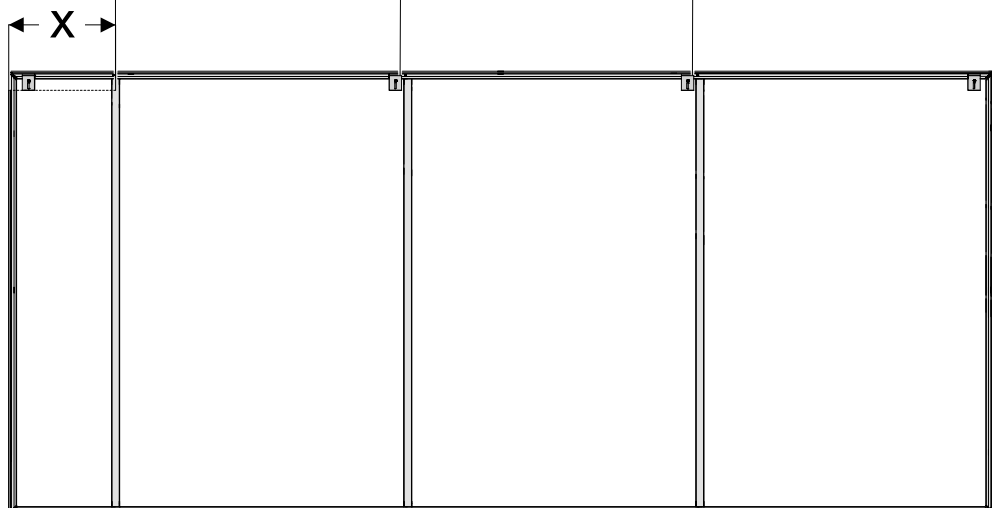
1 Mount the wall brackets using screws.



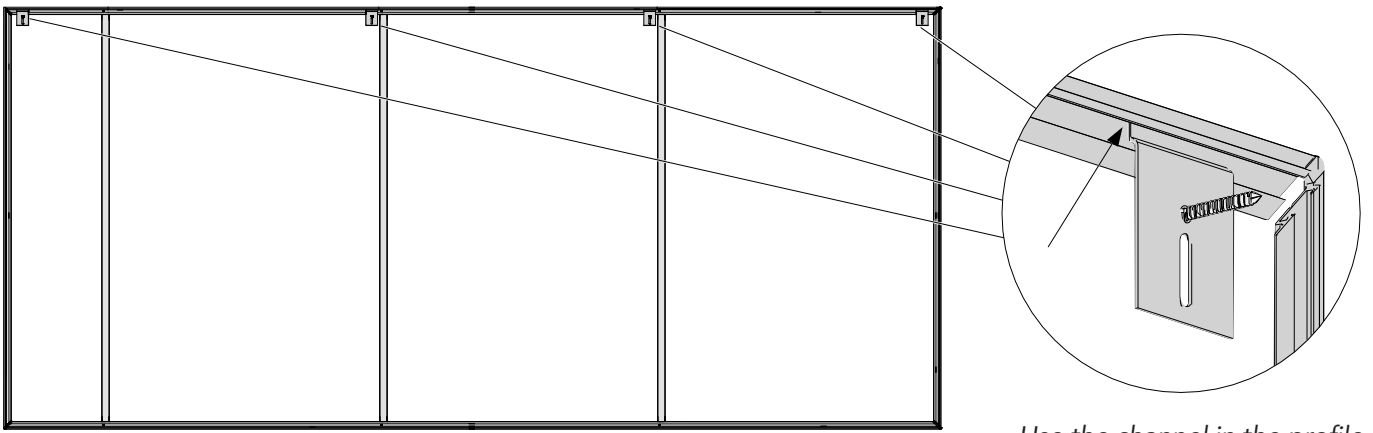
Wall brackets are not required when $x < 600$ mm



Wall brackets are mandatory next to an I-connector (vertical profile).

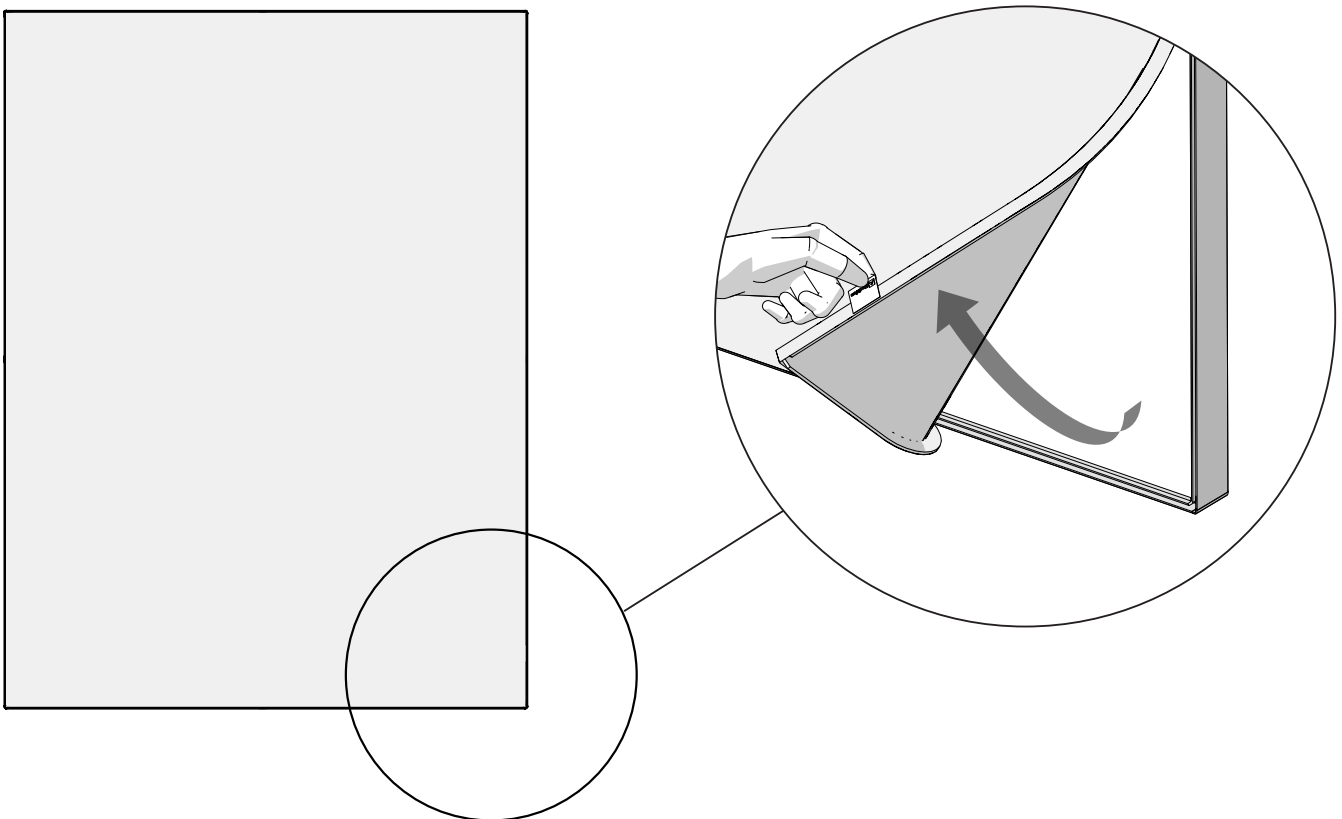


2 Mount the wall panel on the wall brackets.



Use the channel in the profile.

3 For secure installation, pull the tag to lift the canvas.



4 Drill through the absorbent and profile. Secure the panel to the wall using screws.

