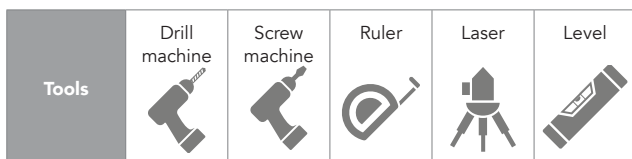
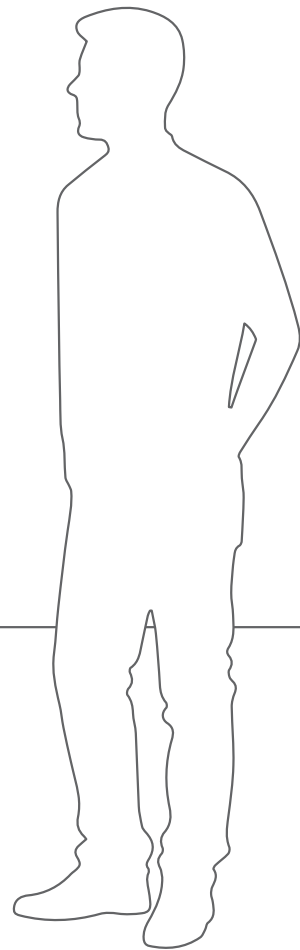
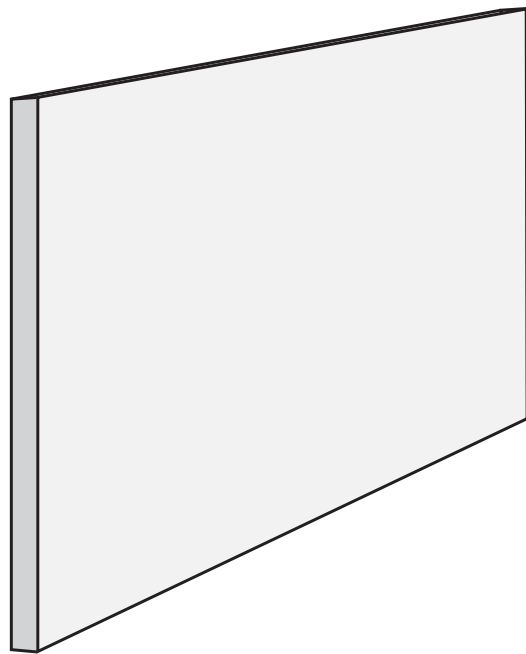
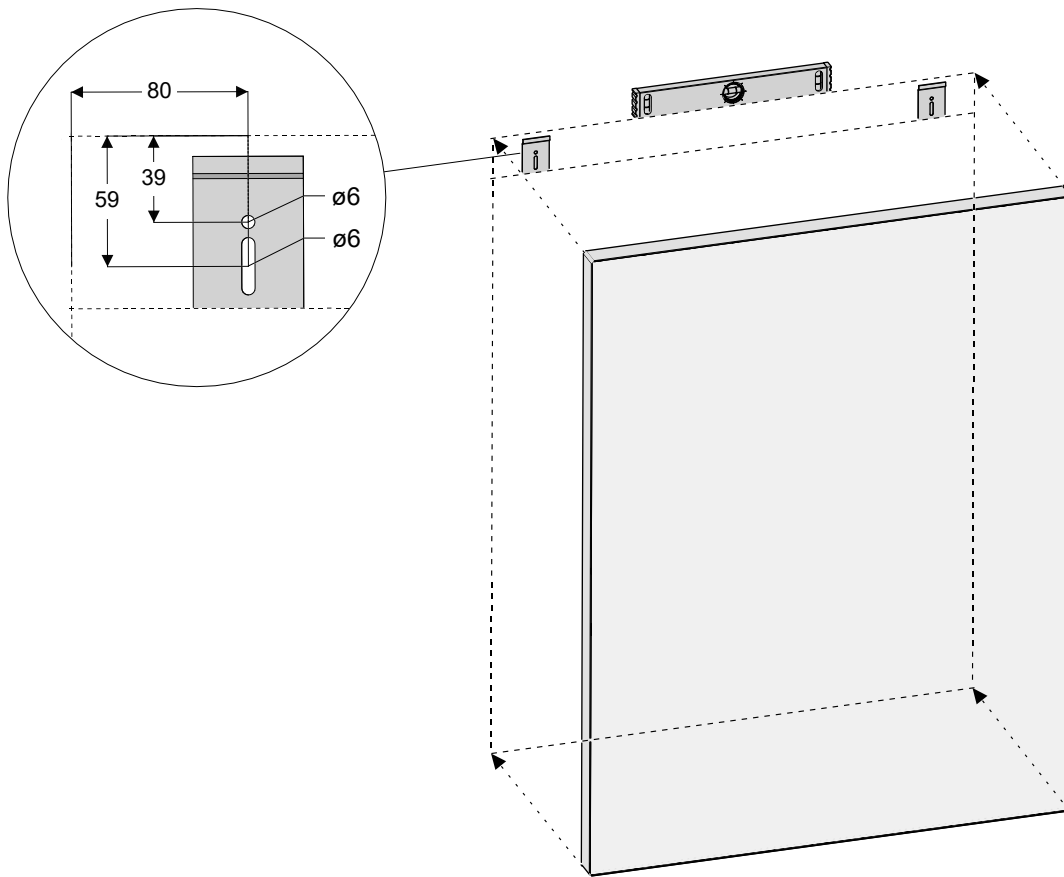


Rockfon Canva® Wall panel

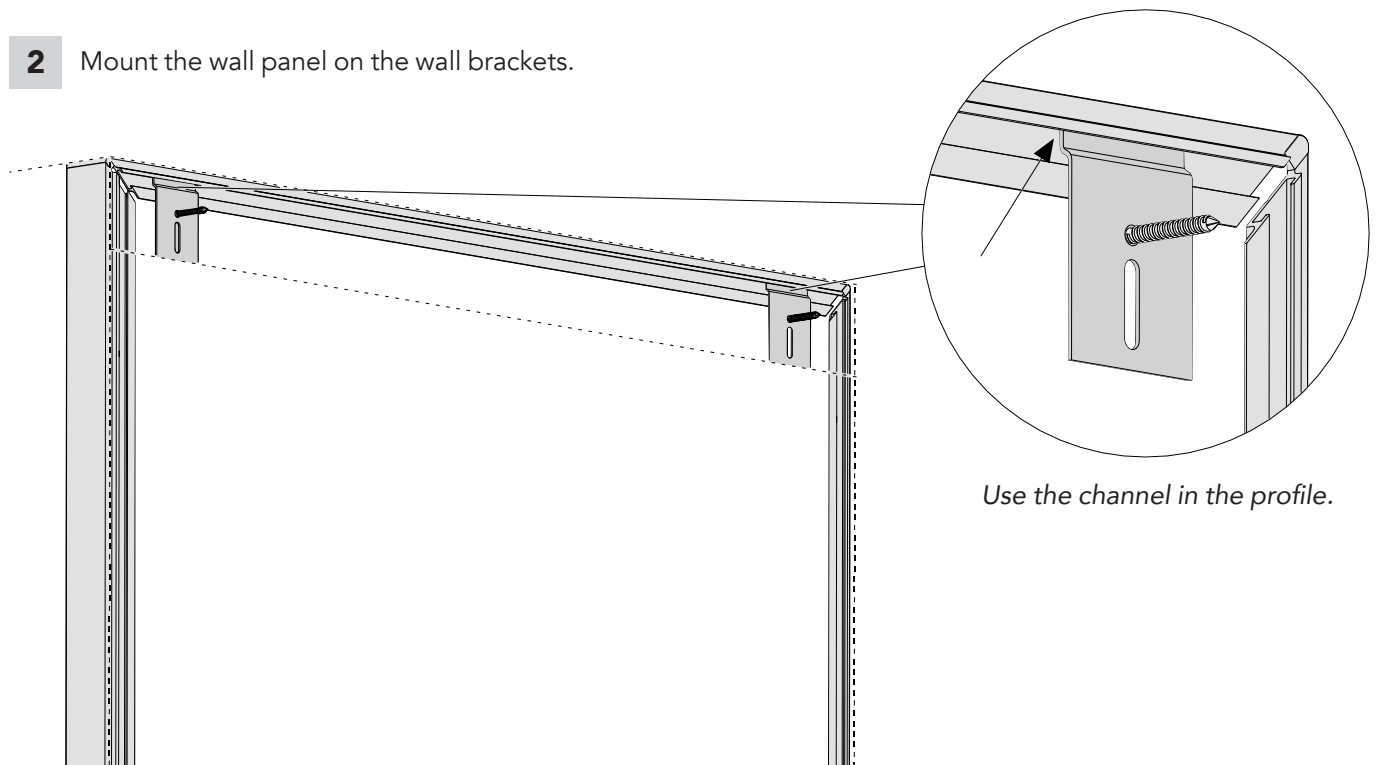


Installation (4 steps in total)

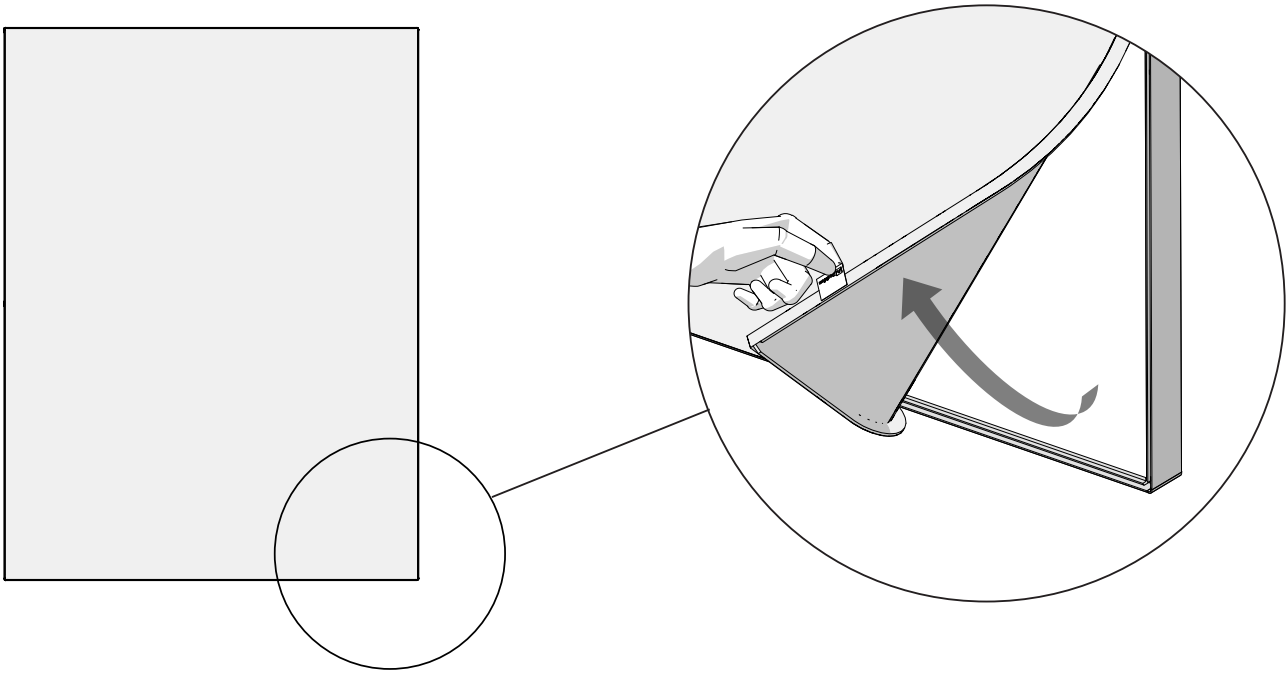
- 1 Mount the wall brackets using screws.



- 2 Mount the wall panel on the wall brackets.



3 For secure installation, pull the tag to lift the canvas.



4 Drill through the absorbent and profile. Secure the panel to the wall using screws.

