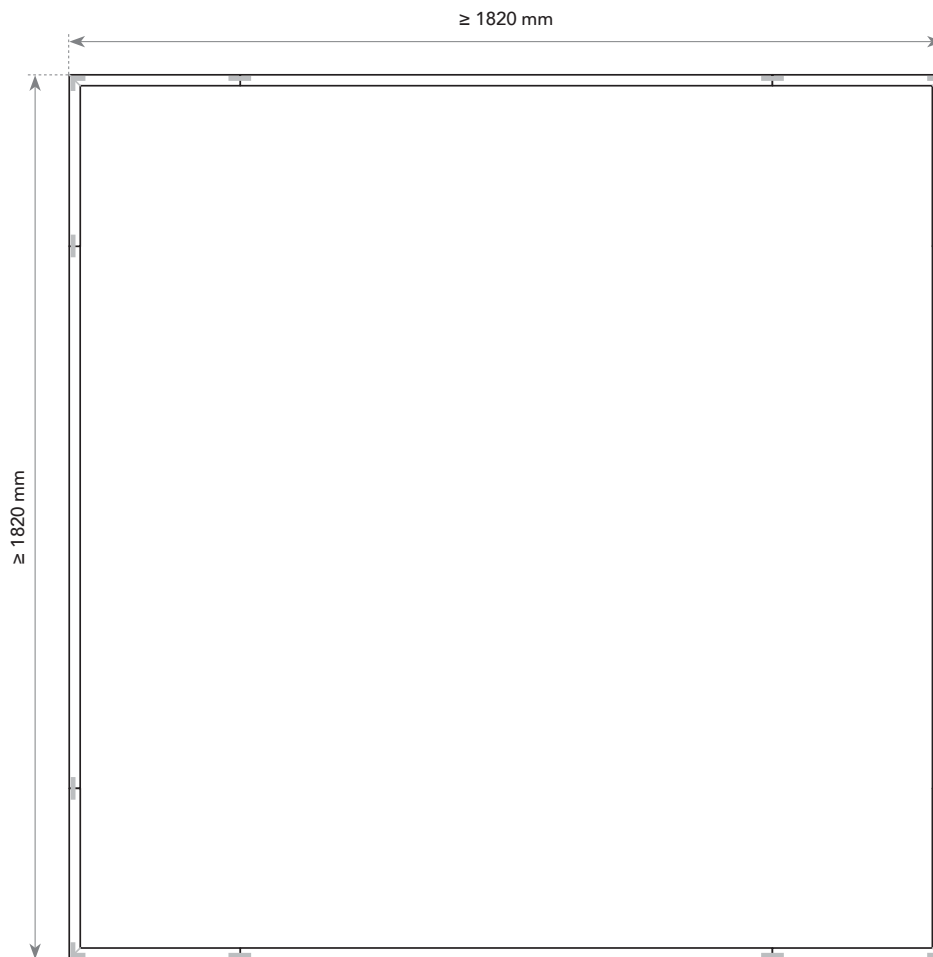


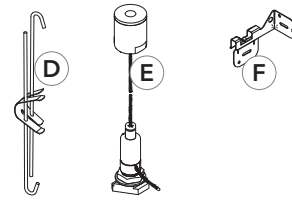
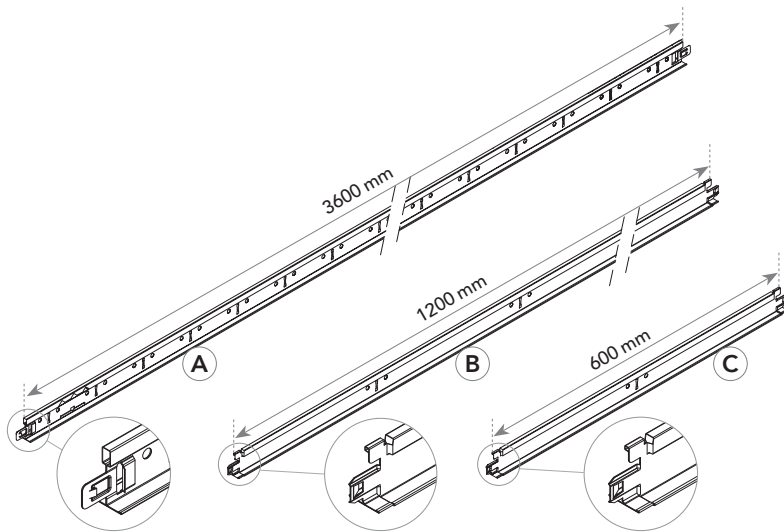
A, E, X-EDGE | TILE DIMENSION 600 x 600 mm.

## Rockfon<sup>®</sup> OneFrame

How to install an island – width and length  $\geq 1820$  mm.



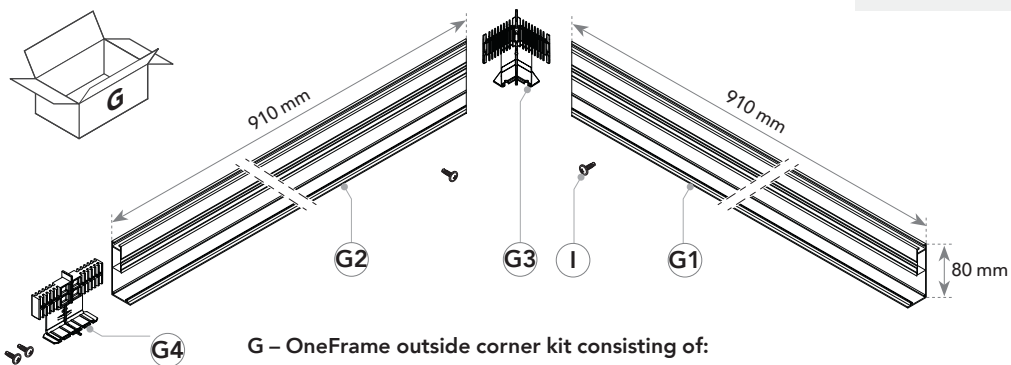
## System components



- A: Main runner T24 Click/Hook 3600
- B: Cross tee T24 Click 1200
- C: Cross tee T24 Click 600
- D: Quick hanger
- E: OneFrame twisted wire suspension
- F: OneFrame frame to grid clip

### ATTENTION

Ensure that the correct mounting fixings for the ceiling substrate are available. Ask your dealer for more information.



#### G – OneFrame outside corner kit consisting of:

- G1: OneFrame corner profile right (4x)
- G2: OneFrame corner profile left (4x)
- G3: OneFrame outside corner (4x)
- G4: OneFrame length connector (4x)
- I: TEK screw (SD-BH-ZP-4,2x13) (16x)

#### H – OneFrame extension kit consisting of:

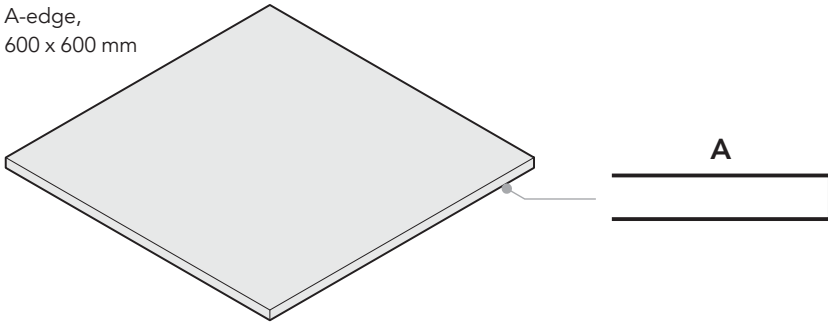
- H1: OneFrame extension profile (2x)
- G4: OneFrame length connector (2x)
- I: TEK screw (SD-BH-ZP-4,2x13) (4x)

### ATTENTION

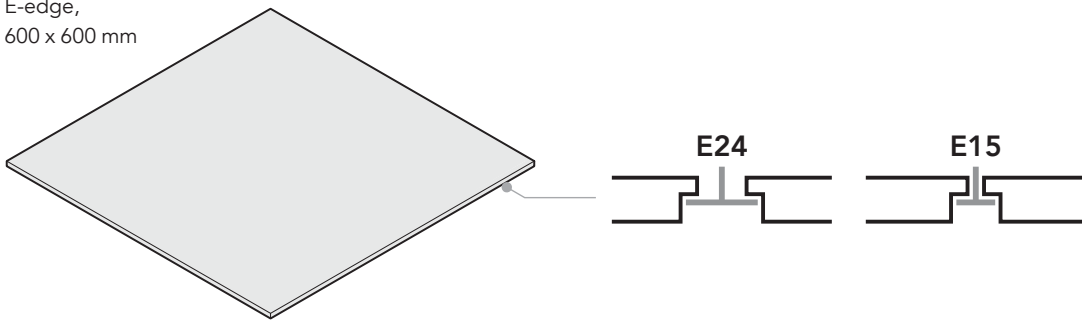
Possible dimensions 600, 1200, 1800, 2400, 3000 and 3600 mm

## Compatible tile overview

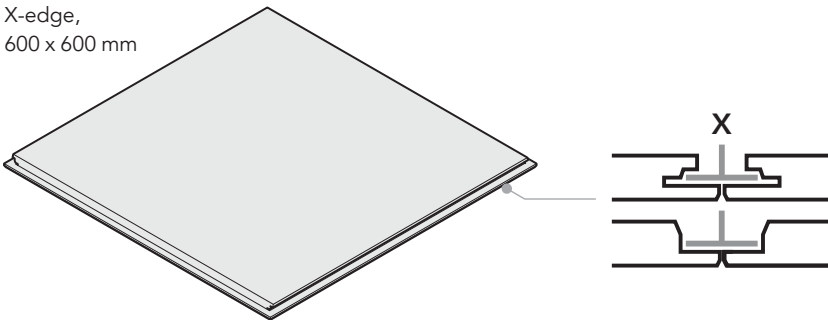
A-edge,  
600 x 600 mm



E-edge,  
600 x 600 mm












X-edge,  
600 x 600 mm

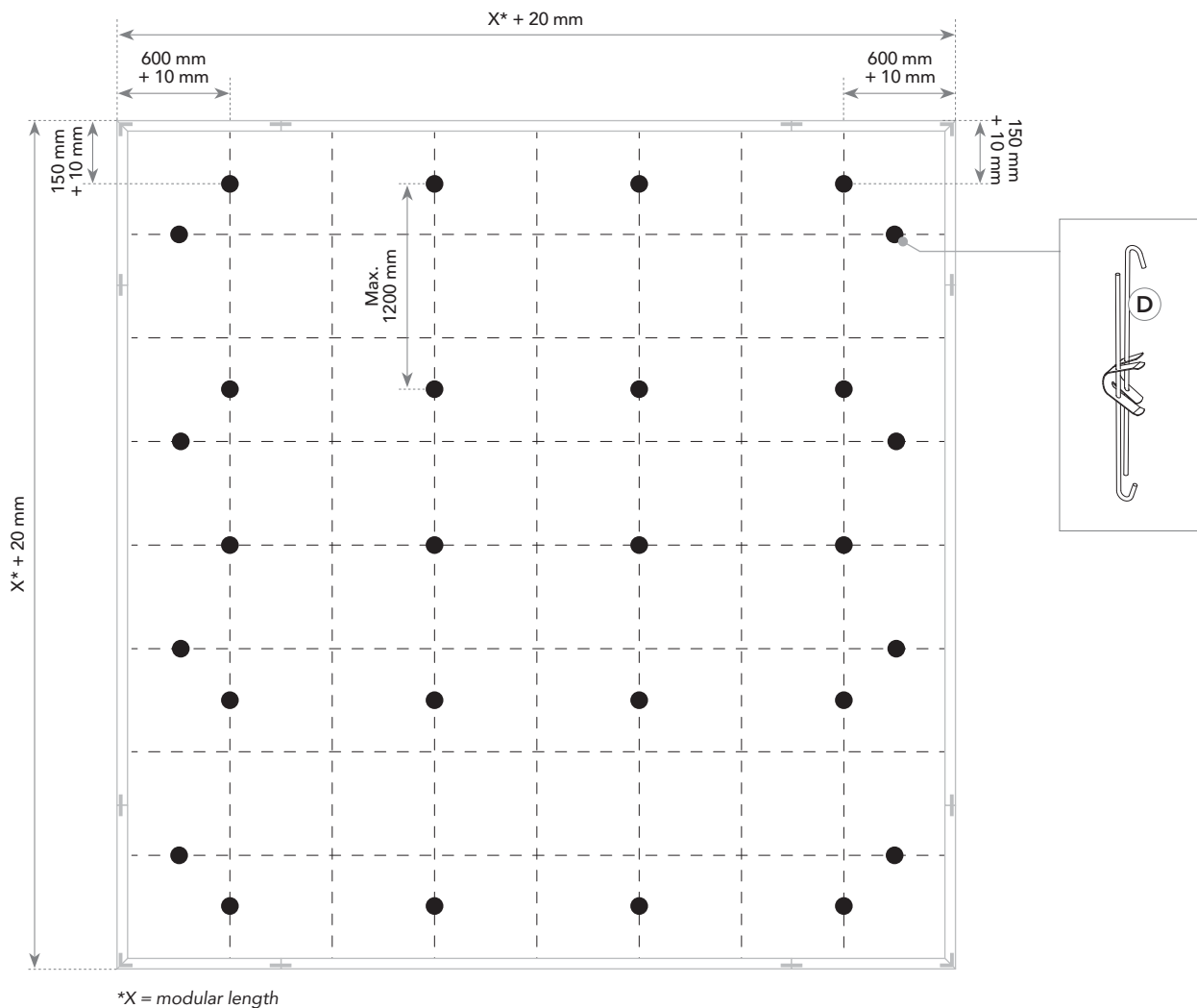


# Installation

## Tool List

Tools	Drill machine	Screw machine	Pencil	Ruler	Laser	Metal shears	Level	Gloves	Pliers
									

- 1 Define the grid layout incl. suspension points based on the dimensions of the OneFrame.

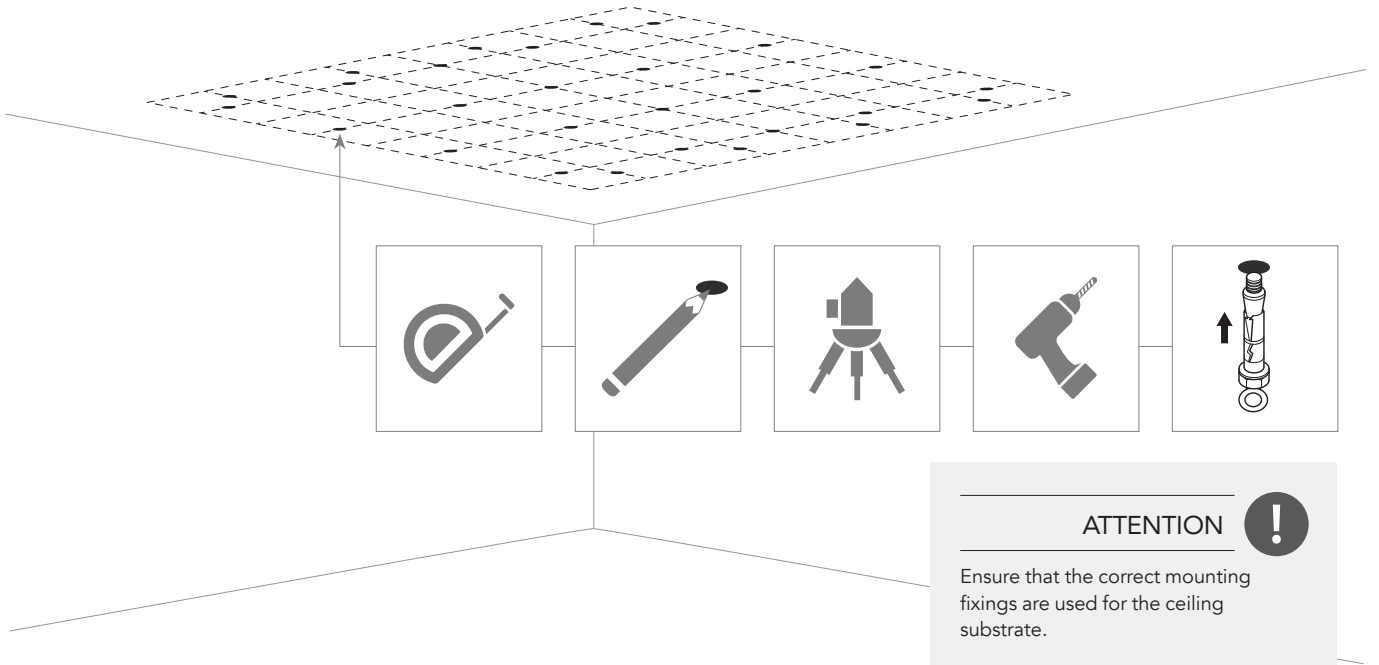


### ATTENTION

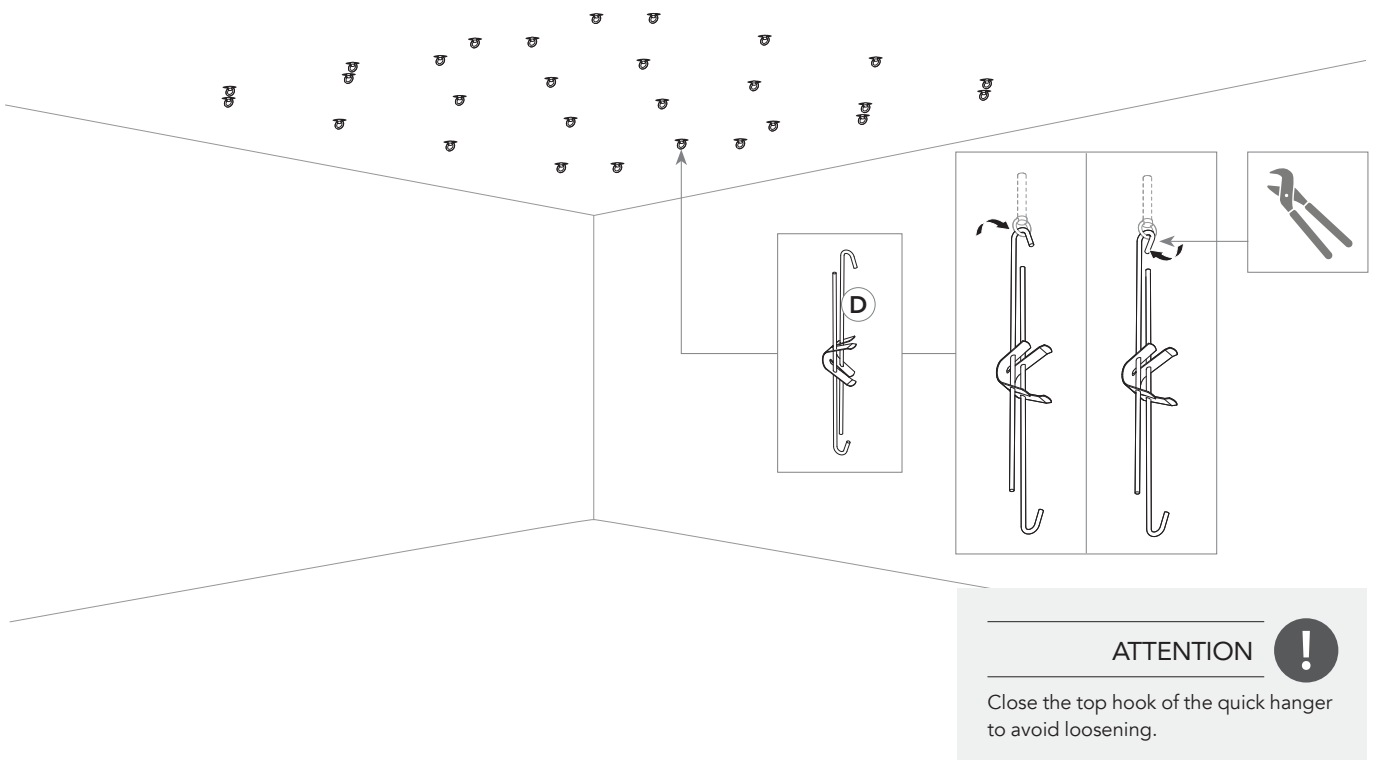


Keep in mind that in case of connected main runners, connections should be staggered and a hanger must be placed between the coupling and fire break.

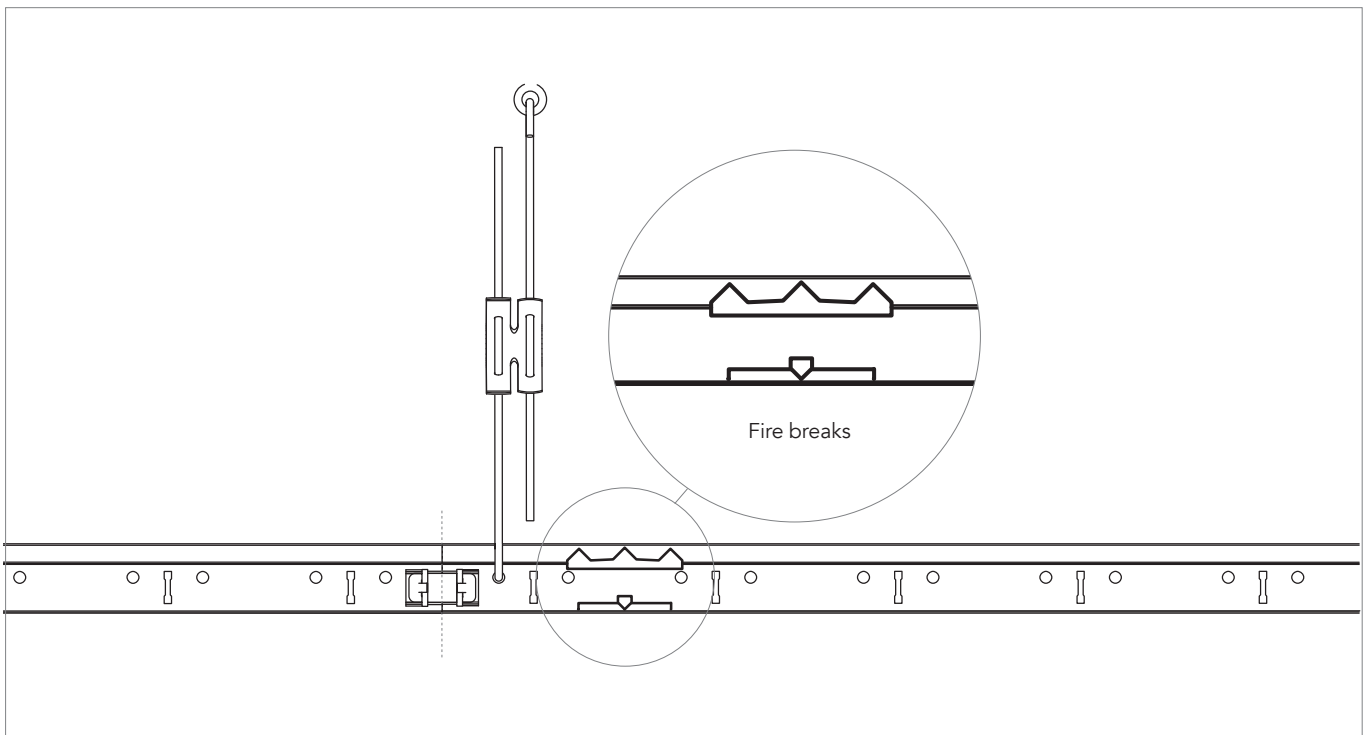
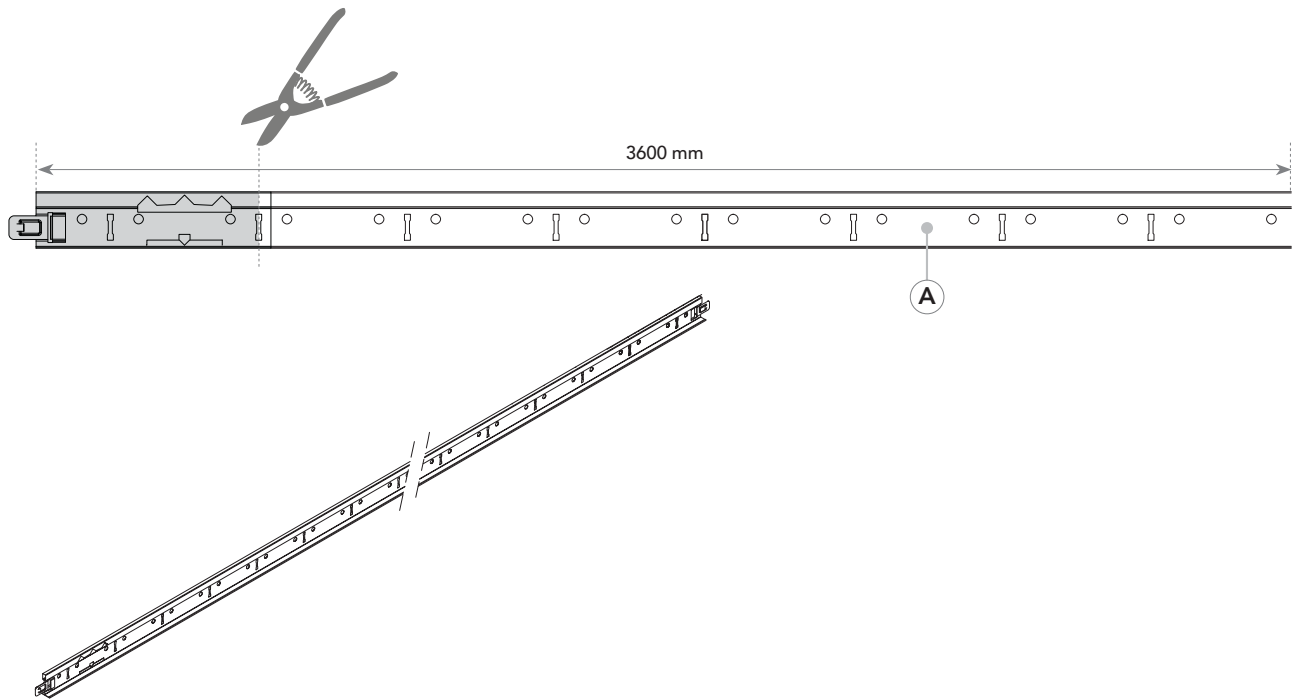
**2** Mark and drill the suspension points in the soffit.



**3** Suspend the quick hangers on the substrate fixings.



4 Cut your main runners to the correct length.



**ATTENTION** !

Make sure you always cut your main runner at 295 mm from the centre of a slot.

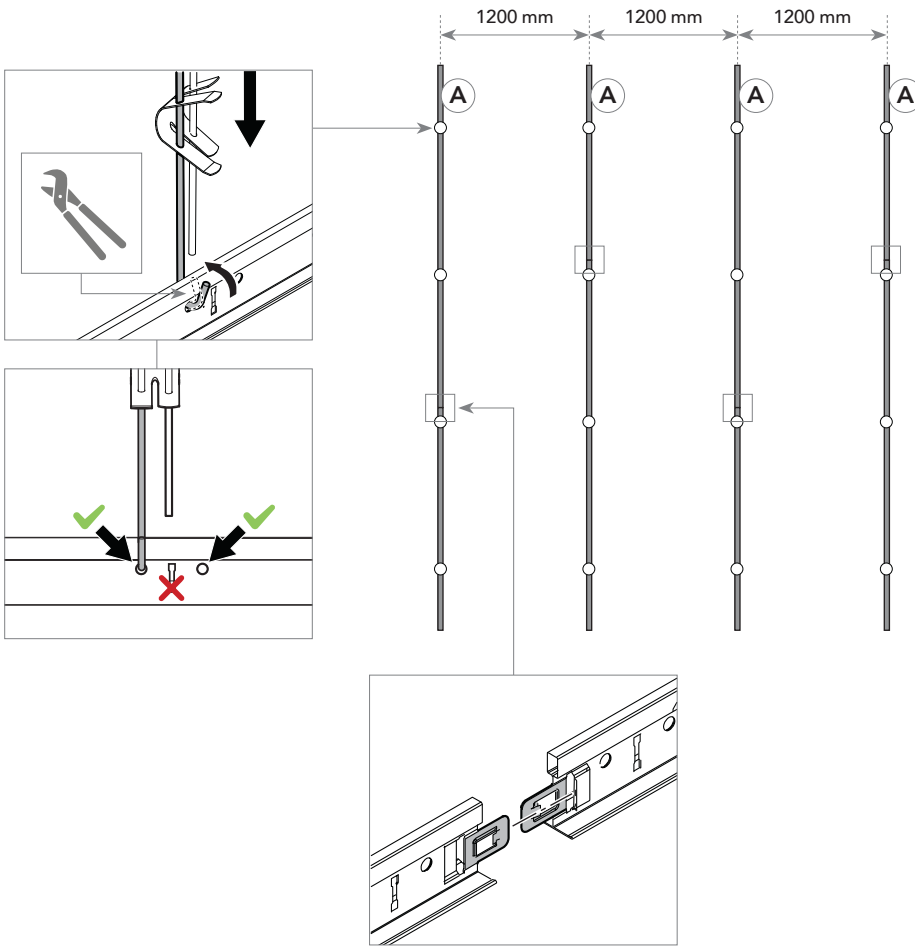
**ATTENTION** !

Make sure the profile is cut straight. Not under an angle like with standard ceilings.

**ATTENTION** !

Keep in mind that in case of connected main runners, a hanger must be placed between the coupling and fire break. Never connect 2 fire break to each other

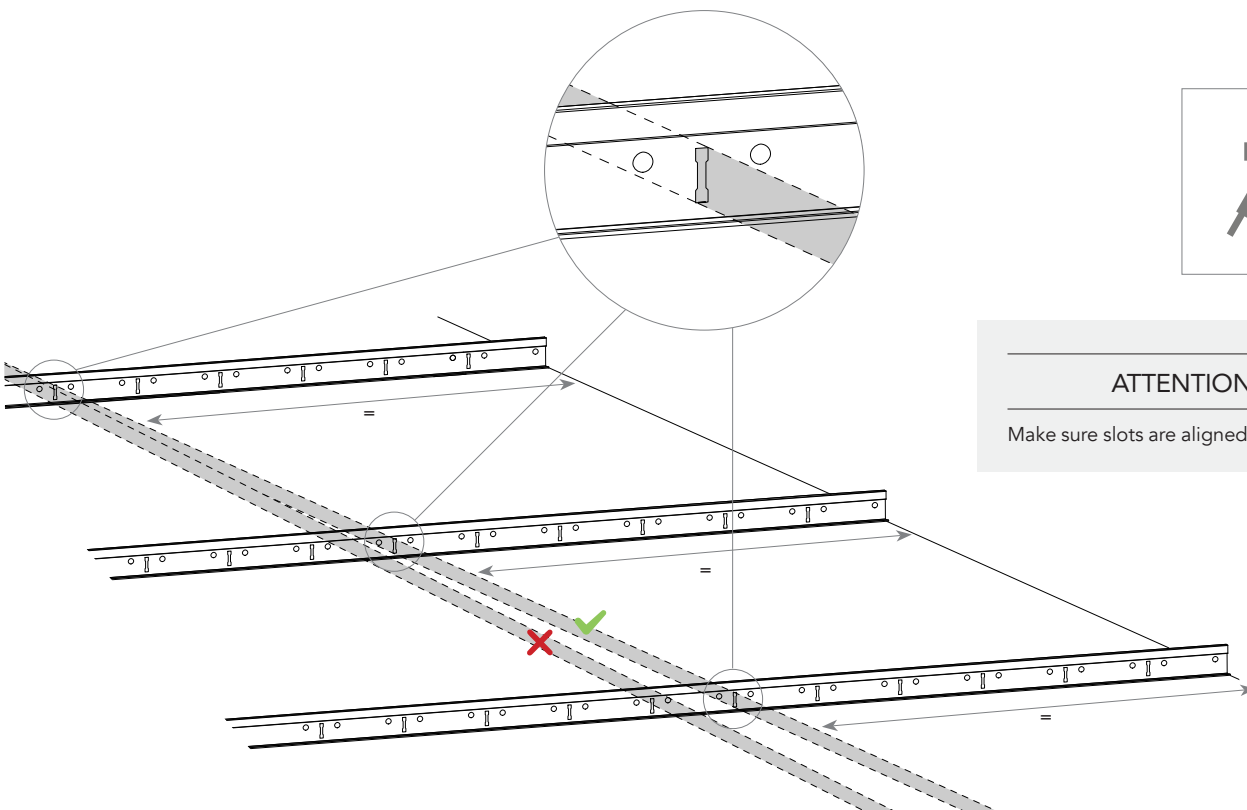
5 Install the main runners.



**ATTENTION** !

The main runners coupling must be mounted staggered.

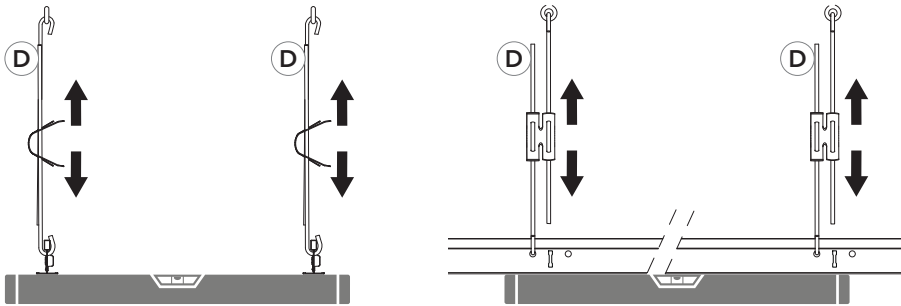
Hook your main runner on the bottom hook of your hanger. Use the correct suspension hole and make sure the hanger is in a straight vertical position. Close the bottom hook to avoid loosening.



**ATTENTION** !

Make sure slots are aligned.

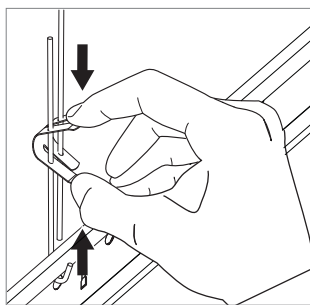
6 Level the main runners.



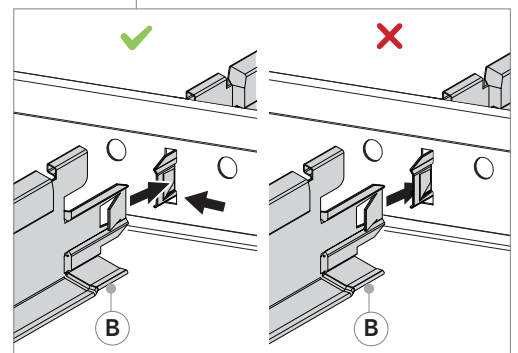
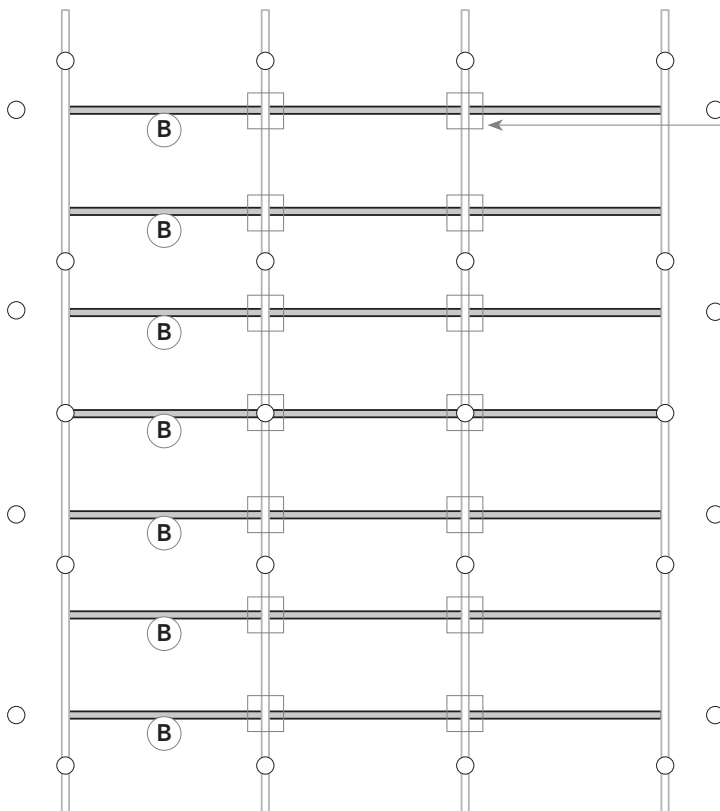
ATTENTION



Make sure the main runners are mounted leveled.



7 Install the 1200 mm cross tees.

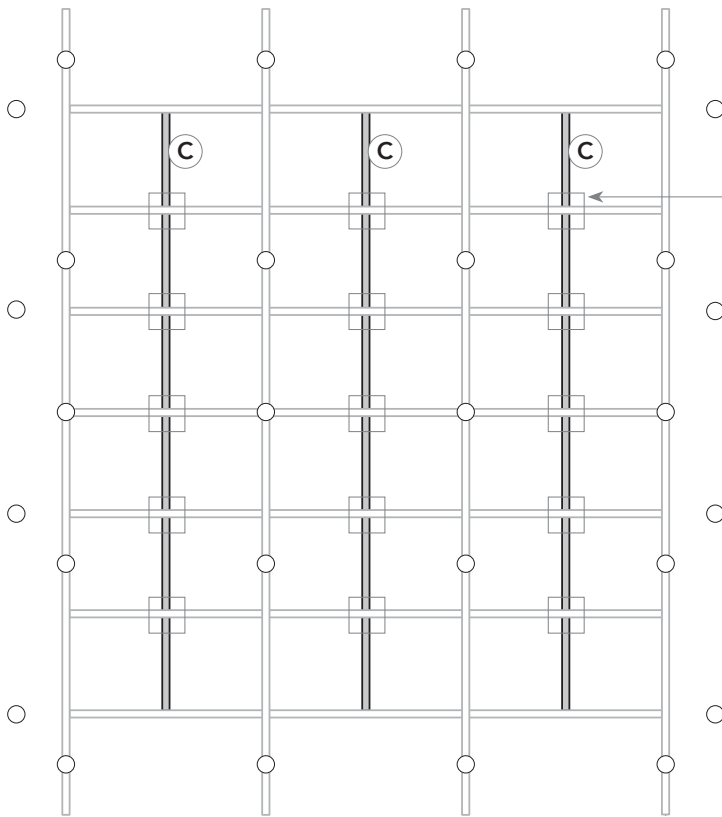


ATTENTION



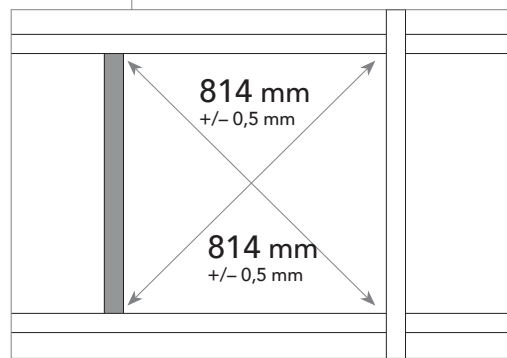
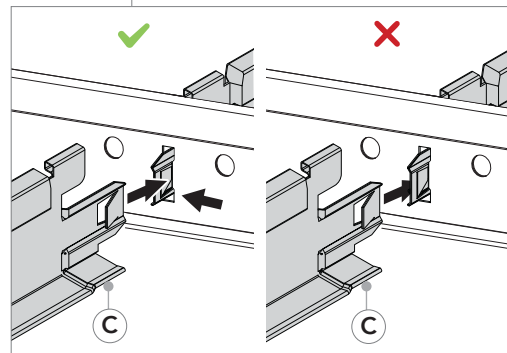
Make sure the cross tree are mounted correctly together. Always add the cross tee to the right side of the opposite one.

**8** Install the 600 mm cross tees.



**ATTENTION** !

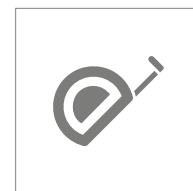
Make sure the cross tree are mounted correctly together. Always add the cross tee to the right side of the opposite one.



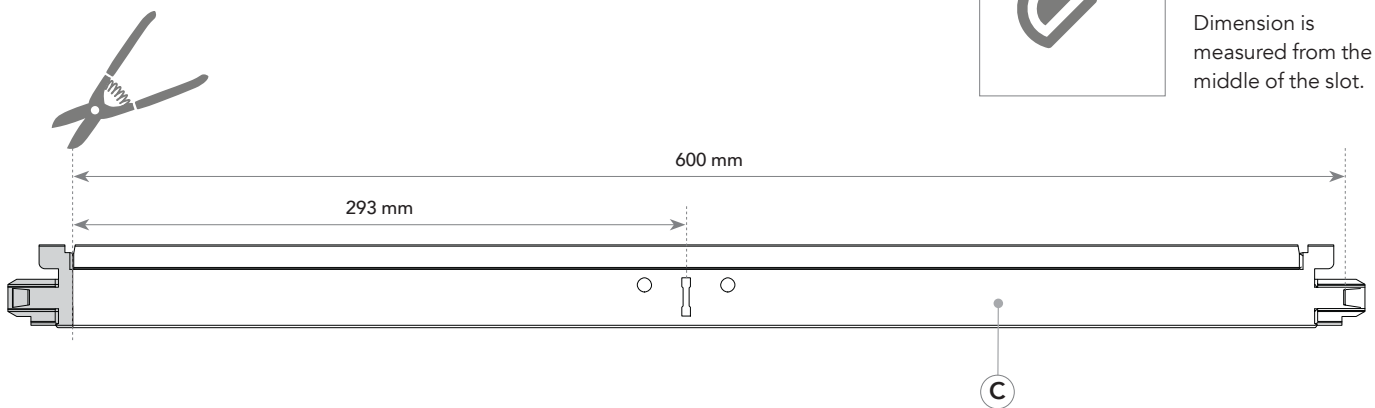
**ATTENTION** !

Make sure your grid is square.

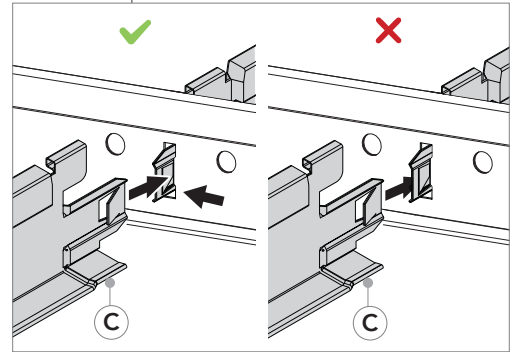
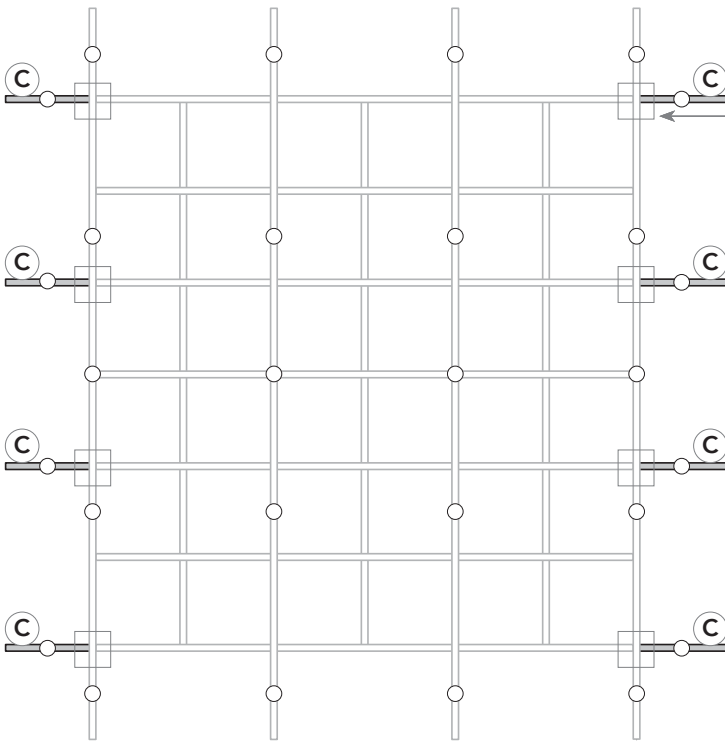
**9** Cut the remaining 600 mm cross tees to the correct length.



Dimension is measured from the middle of the slot.



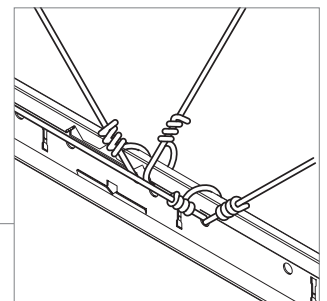
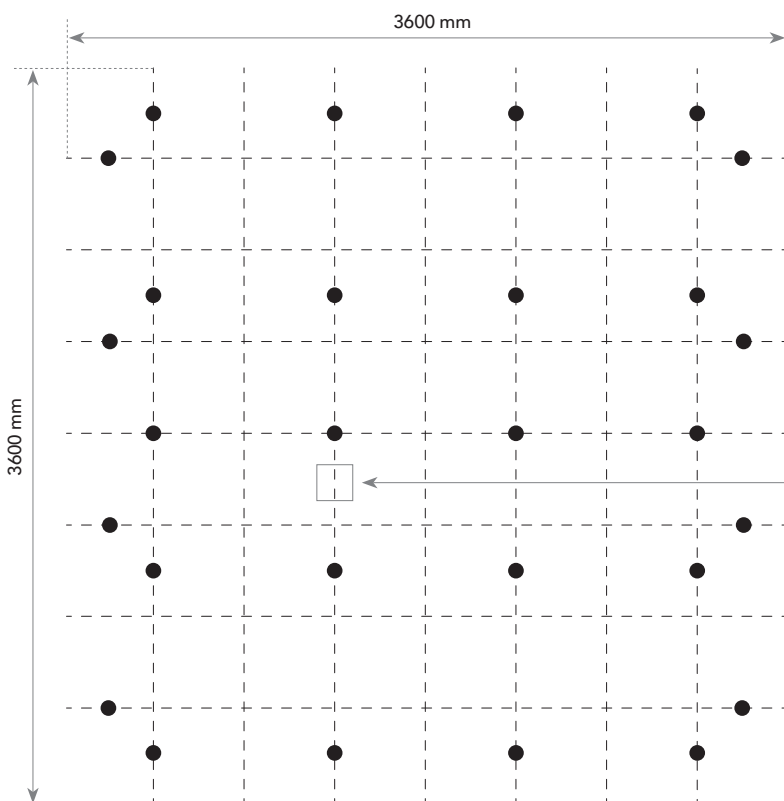
10 Install the shortened cross tees which can be suspended.



**ATTENTION** !

Make sure the cross tees are mounted correctly together. Always add the cross tee to the right side of the opposite one.

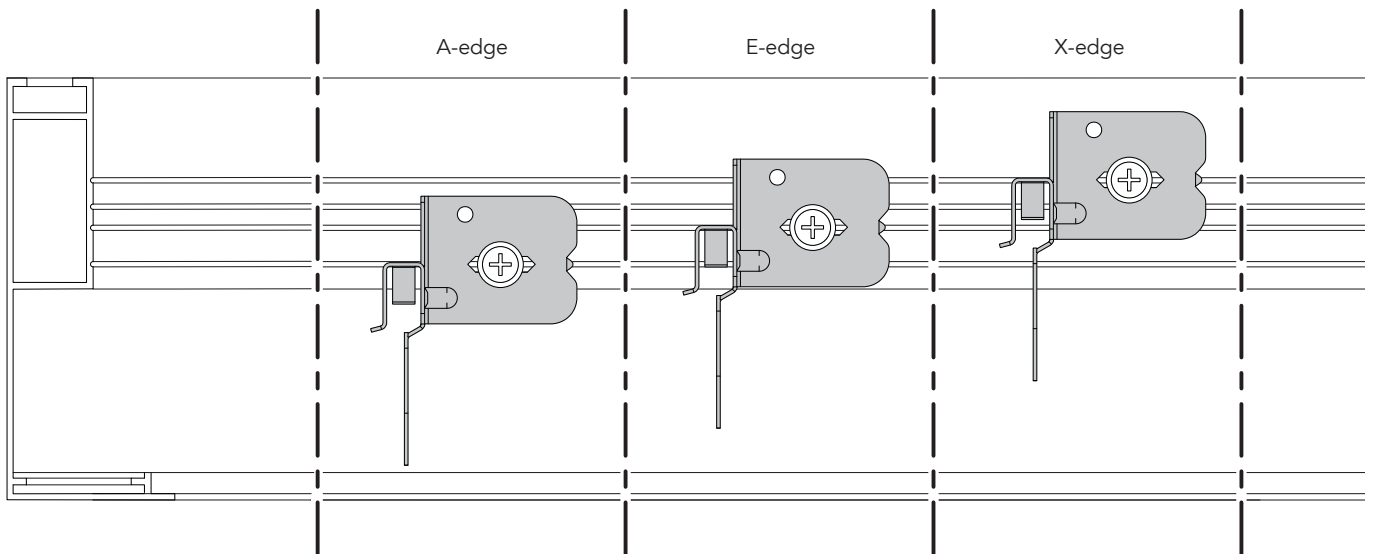
11 For islands longer and wider than 3600 mm: brace each 15 m<sup>2</sup> to make the construction rigid.



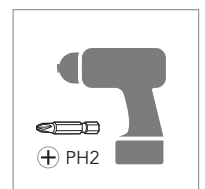
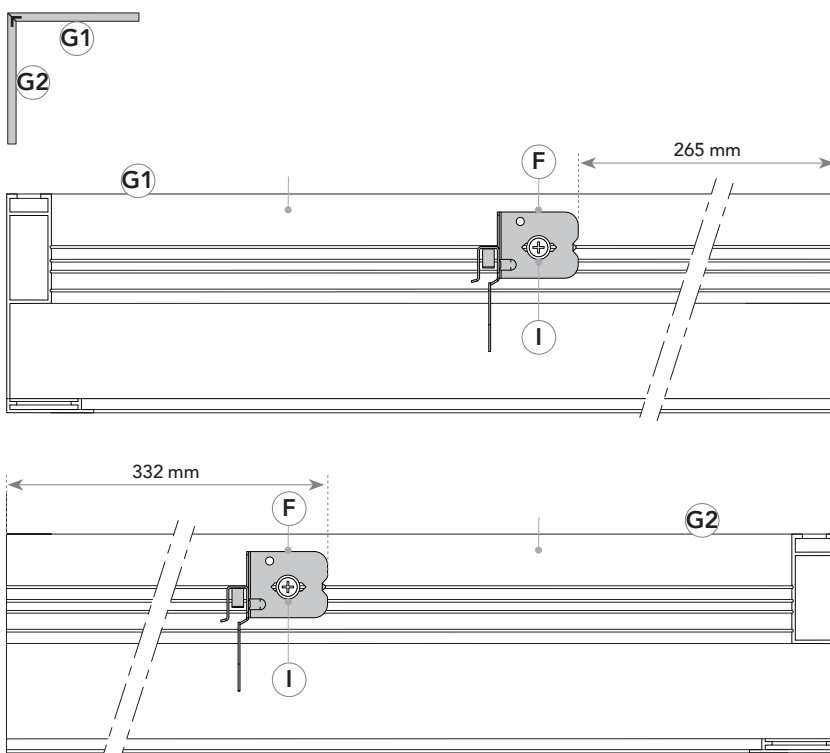
**ATTENTION** !

Make sure the main runners and cross tees are mounted exactly square.

**12** Determine the correct height of the OneFrame frame to grid clip, depending on the tile edge.



**13** Install the OneFrame frame to grid clips on the OneFrame corner kit.

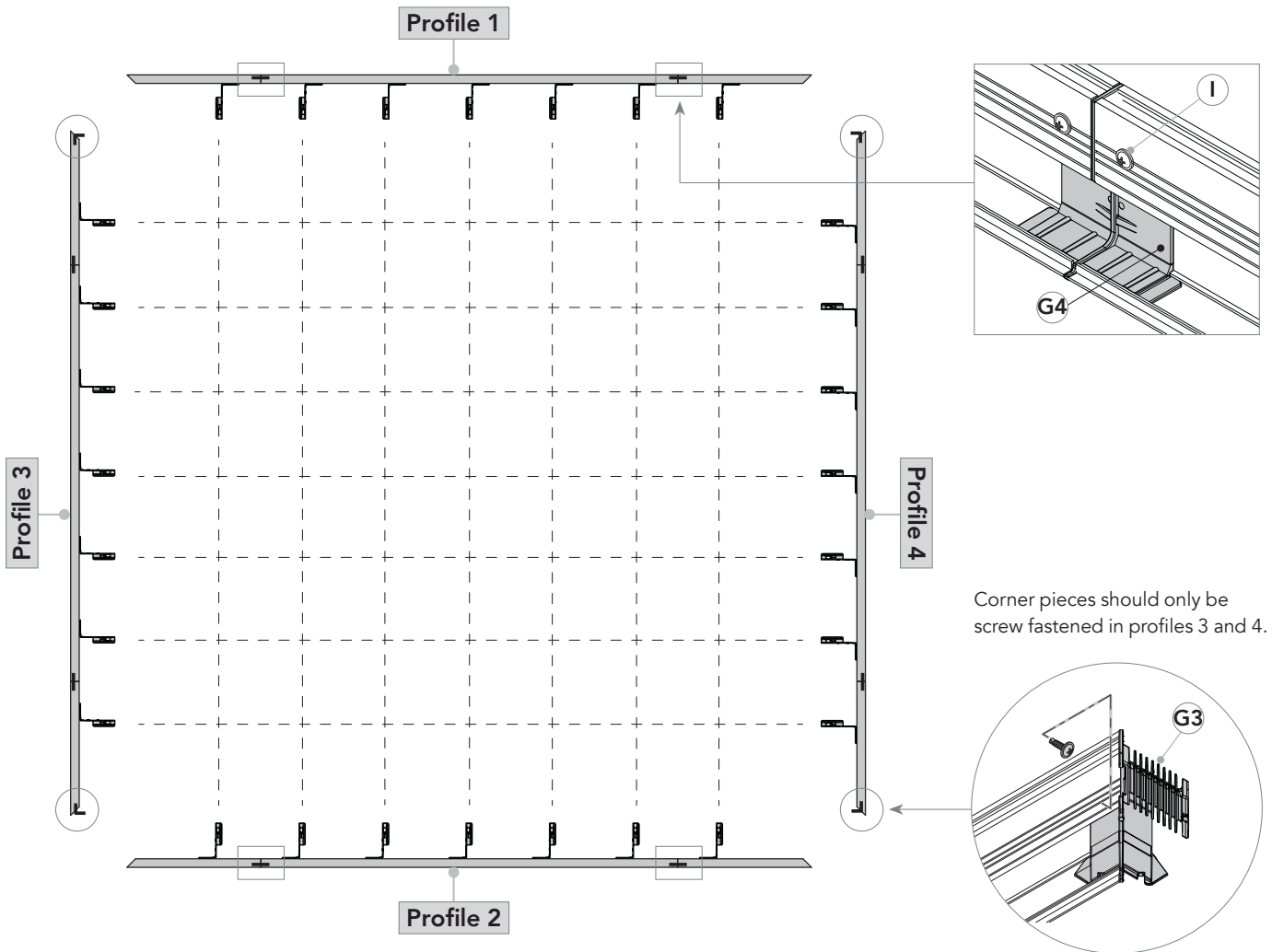
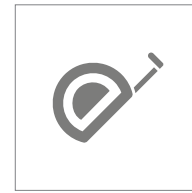


**ATTENTION** !

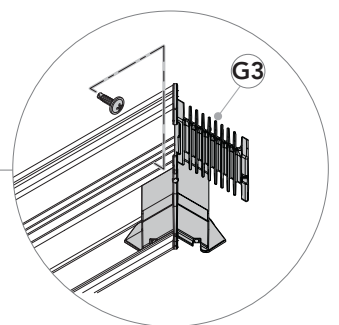
Make sure you take the correct dimensions from the straight end of the corner profile.

- Right corner profile (G1): 265 mm
- Left corner profile (G2): 332 mm

- 14 Connect the OneFrame corner profiles and extension profiles with the length connectors, corner pieces and TEK screws.



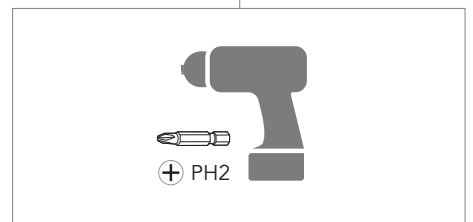
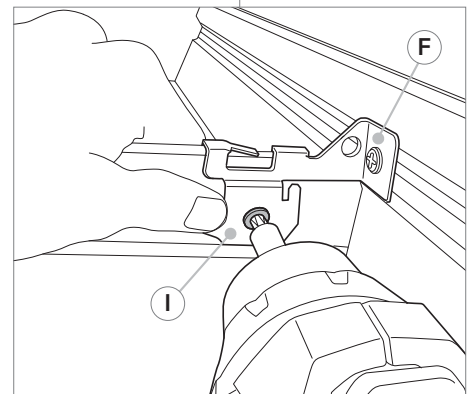
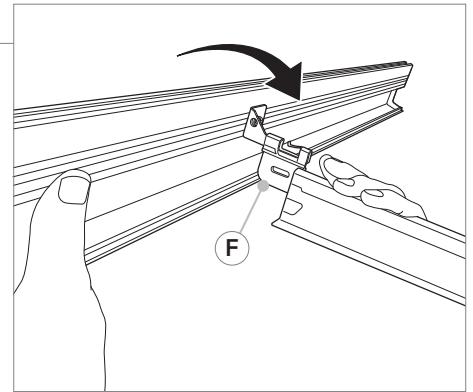
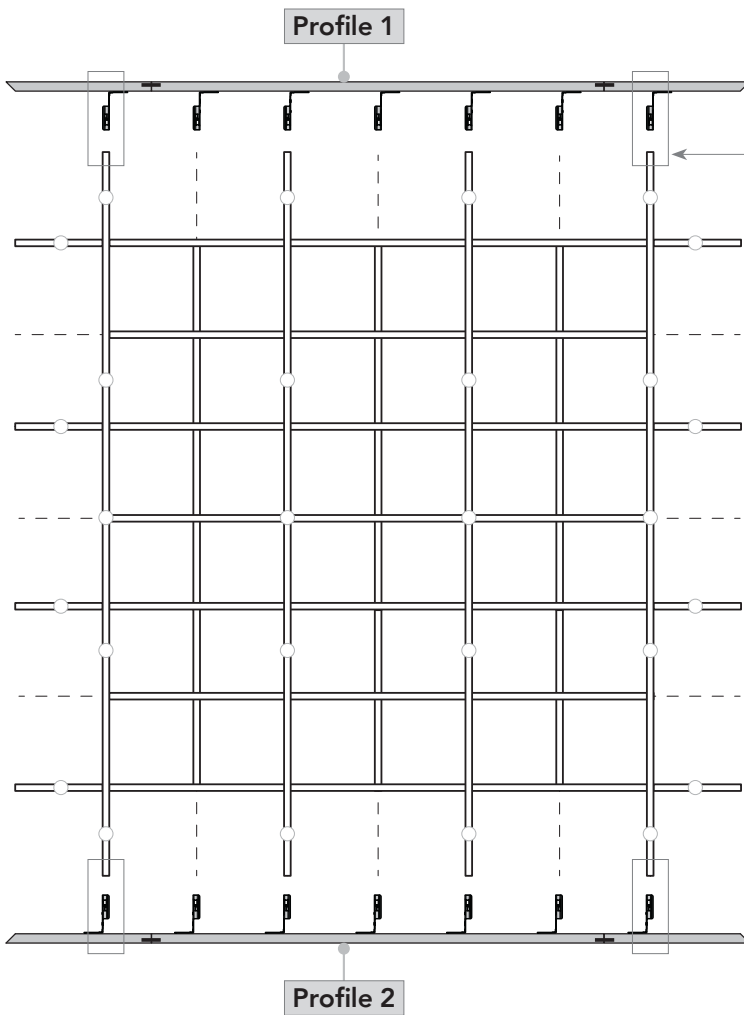
Corner pieces should only be screw fastened in profiles 3 and 4.



**ATTENTION** !

Make sure the OneFrame length connectors are secured with TEK screws.

- 15 Instal the connected OneFrame profiles (1 and 2) on the main runners.



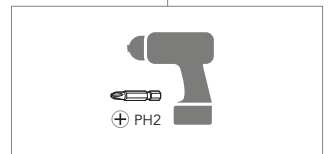
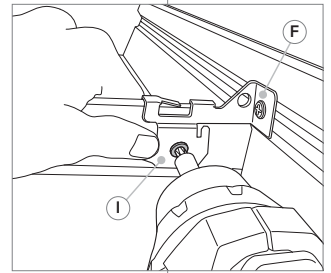
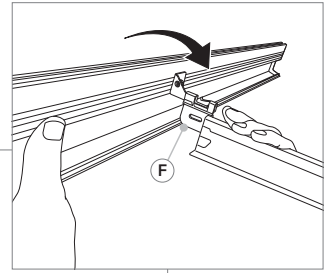
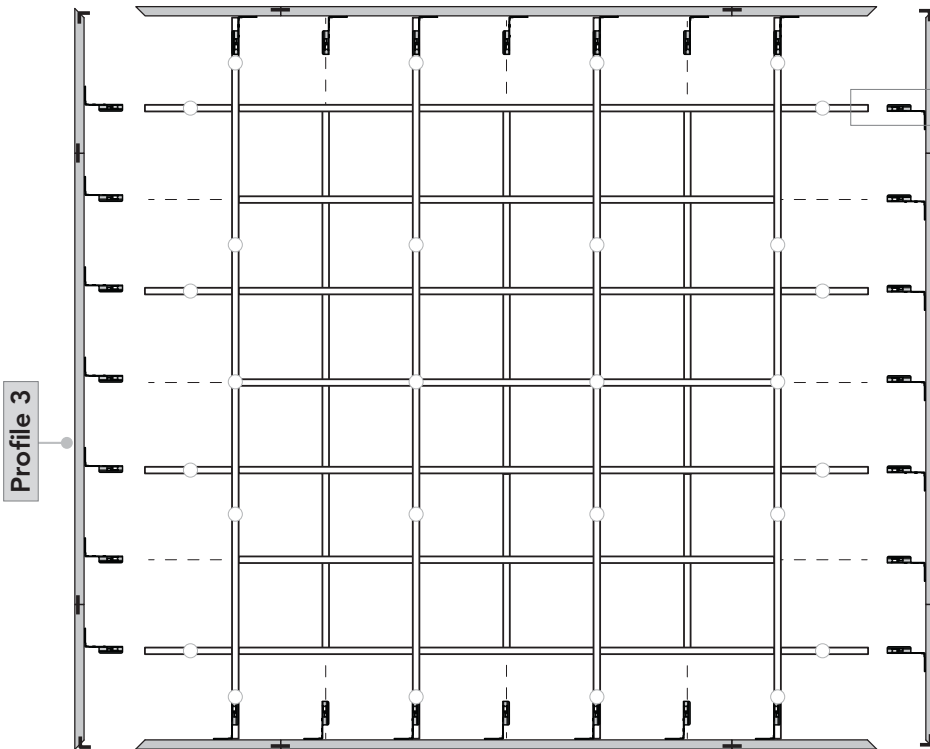
**ATTENTION**



Make sure once you fix the OneFrame profile on the main runners, the main runner should be blocked against the OneFrame profile.

Alignment of the OneFrame profiles with the main runners can be done by loosening the TEK screw of the OneFrame frame to grid clip, to attach the main runners and place the OneFrame frame to grid clip into the correct position.

16 Install the remaining OneFrame profiles on the suspended cross tee and close the frame.

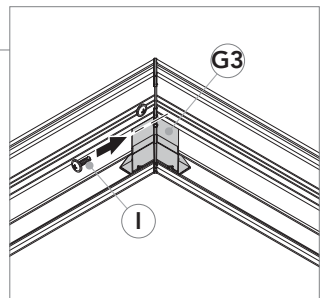
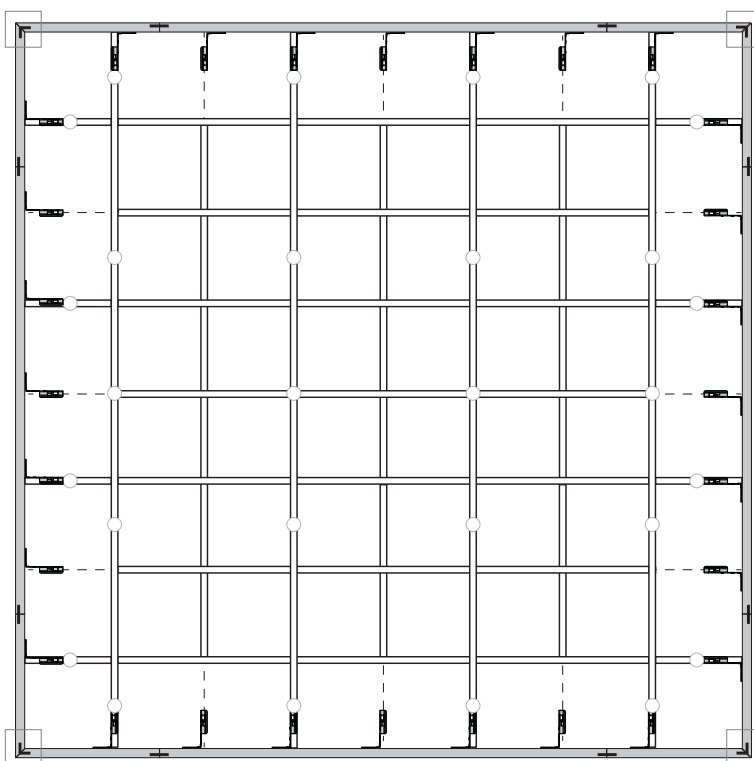


Alignment of the OneFrame profiles with the cross tees can be done by loosening the TEK screw of the OneFrame frame to grid clip, to attach the cross tees and place the OneFrame frame to grid clip into the correct position.

**ATTENTION**

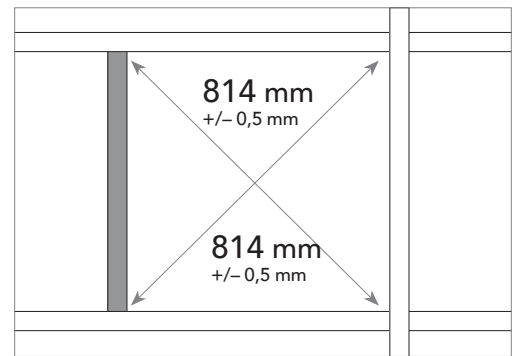
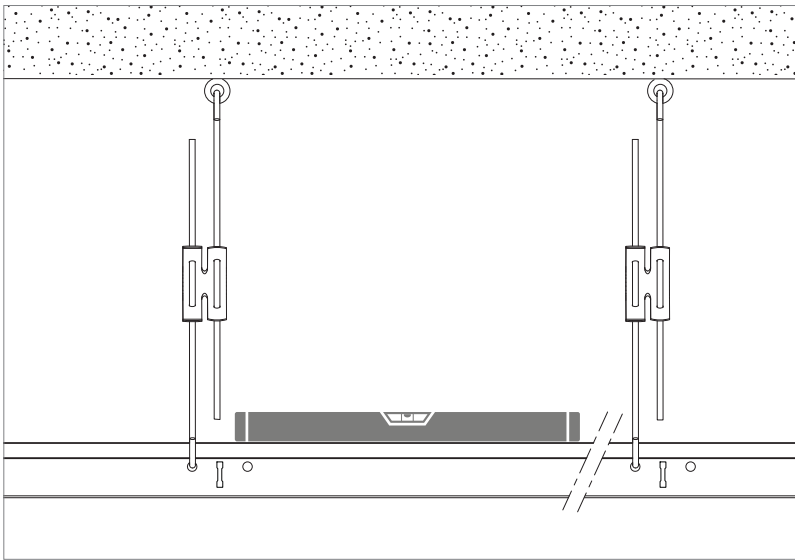


Make sure once you fix the OneFrame on the cross tees. The cross tees should be blocked against the frame.



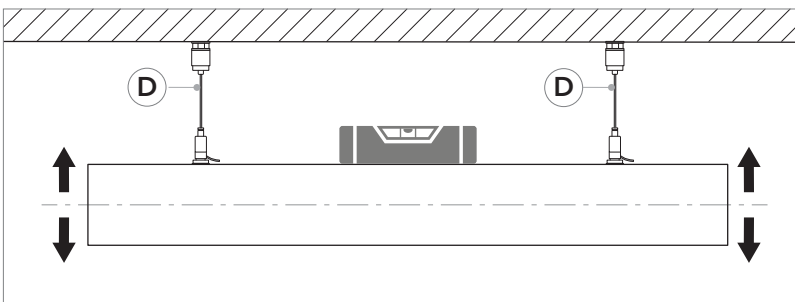
Secure the OneFrame corner piece with a TEK screw.

17 Check the frame and grid with a level.

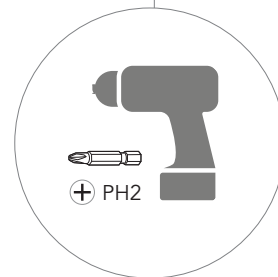
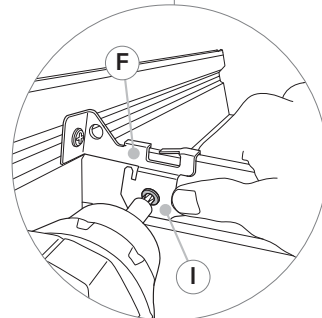
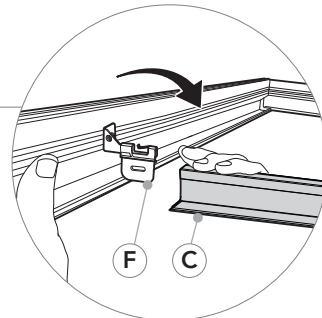
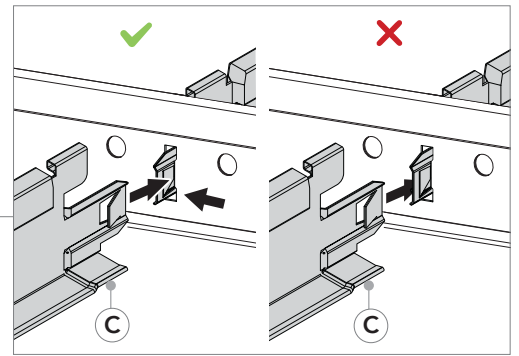
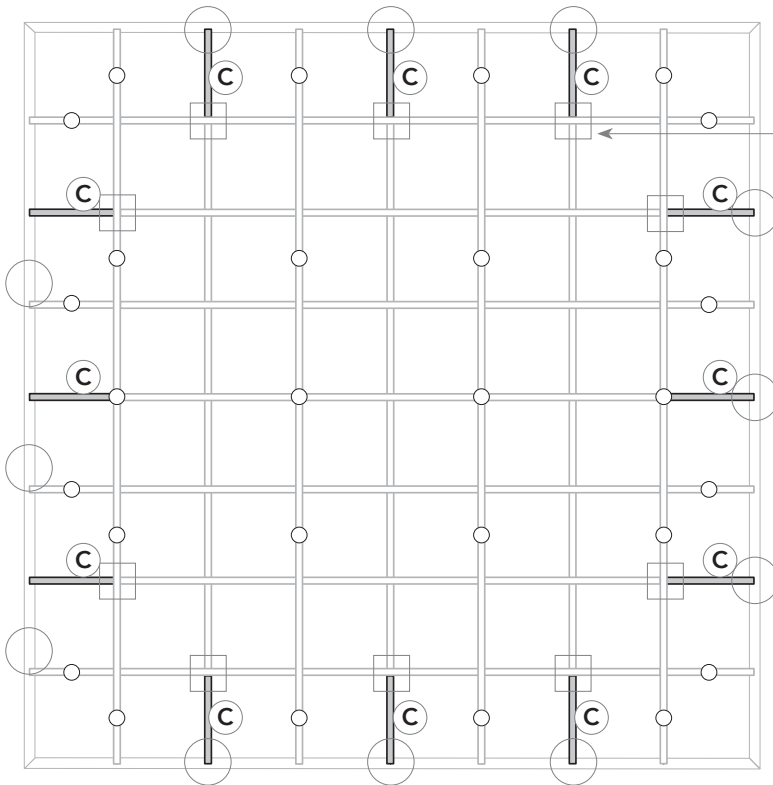


**ATTENTION** !

Make sure the OneFrame, main runners and cross tees are mounted exactly square and leveled.



**18** Install the remaining shortened 600 mm cross tees.



Slide the cross tees onto OneFrame frame to grid clip. The cross tees need to be blocked against the OneFrame profile.

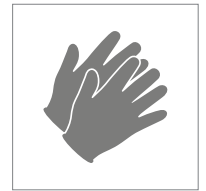
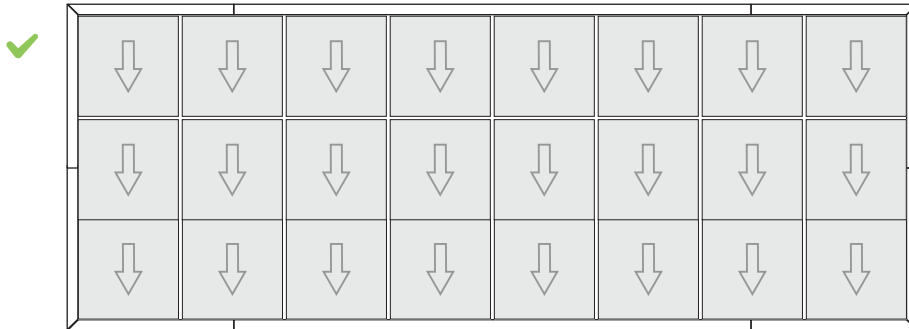
Cross tee needs to be straight cut at 297 mm from the center of the slot (see step 9).

**ATTENTION**



Make sure the cross tees are mounted correctly together. Always add the cross tee to the right side of the opposite one.

19 Complete the installation with installing the tiles.



#### RECOMMENDATIONS



If an arrow is visible on the backside of the tile, put them in the same direction.



# Sounds Beautiful

