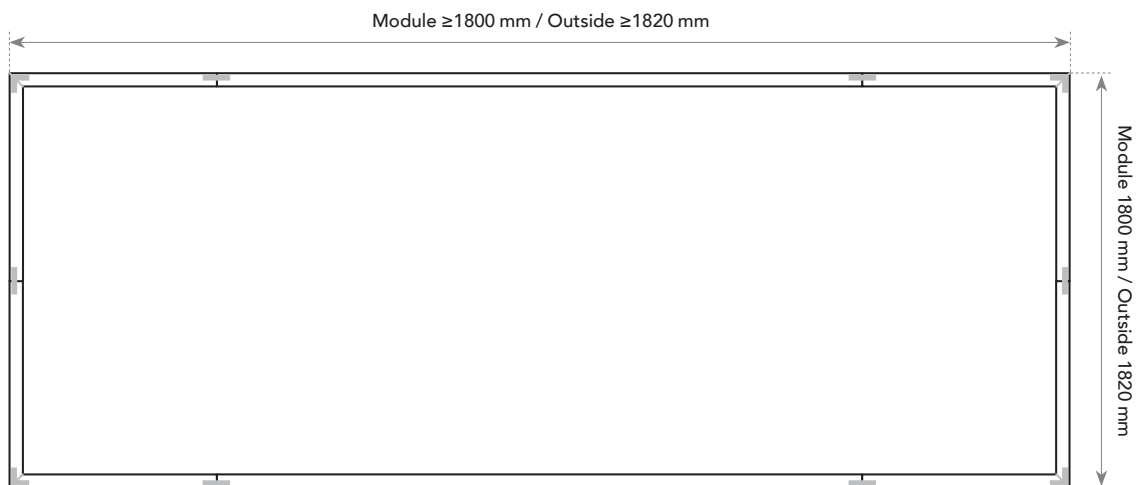


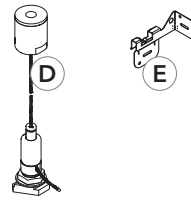
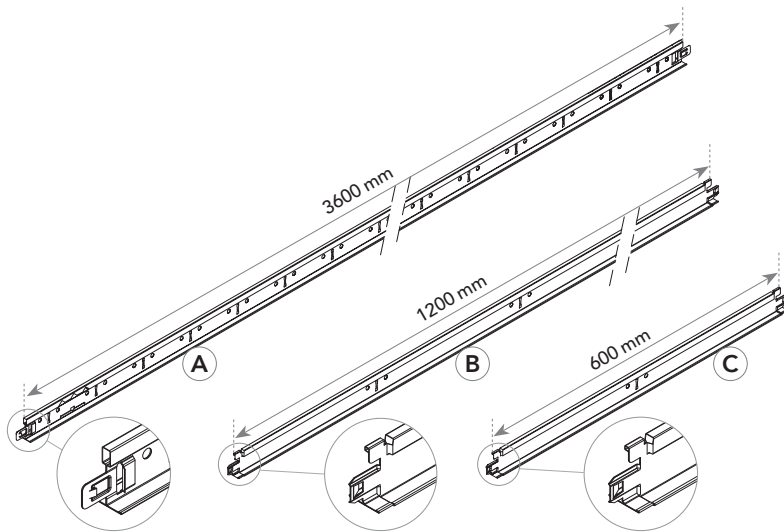
A, E, X-EDGE | TILE DIMENSION 600 x 600 mm.

## Rockfon® OneFrame

How to install an island – width 1820 mm and length  $\geq 1820$  mm.



## System components

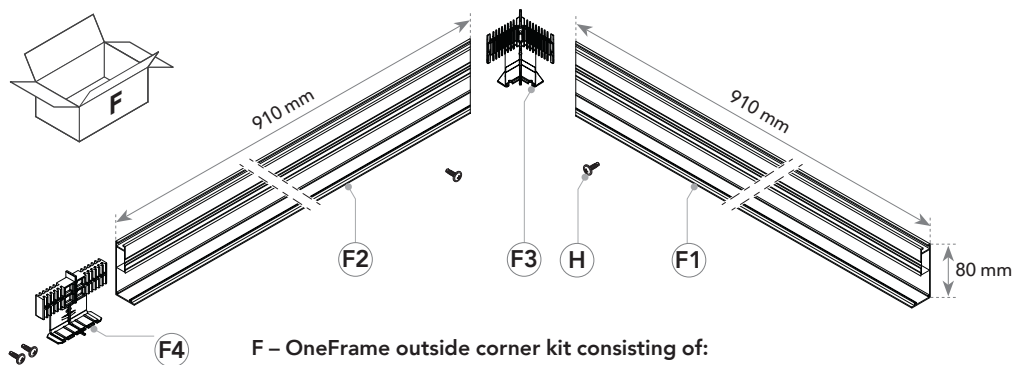


- A: Main runner T24 Click/Hook 3600
- B: Cross tee T24 Click 1200
- C: Cross tee T24 Click 600
- D: OneFrame twisted wire suspension
- E: OneFrame frame to grid clip

### ATTENTION



Ensure that the correct mounting fixings for the ceiling substrate are available. Ask your dealer for more information.



#### F – OneFrame outside corner kit consisting of:

- F1: OneFrame corner profile right (4x)
- F2: OneFrame corner profile left (4x)
- F3: OneFrame outside corner (4x)
- F4: OneFrame length connector (4x)
- H: TEK screw (SD-BH-ZP-4,2x13) (16x)

#### G – OneFrame extension kit consisting of:

- G1: OneFrame extension profile (2x)
- F4: OneFrame length connector (2x)
- H: TEK screw (SD-BH-ZP-4,2x13) (4x)

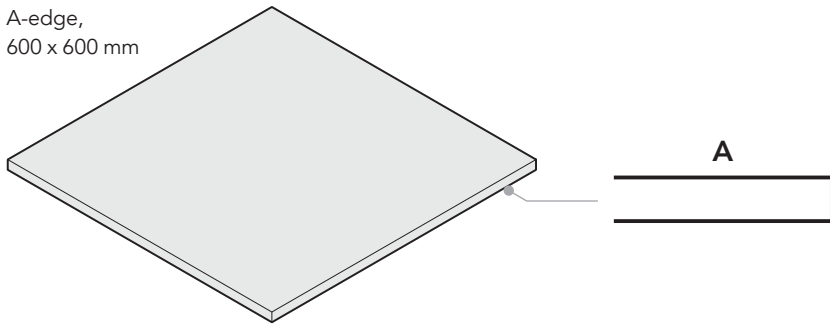
### ATTENTION



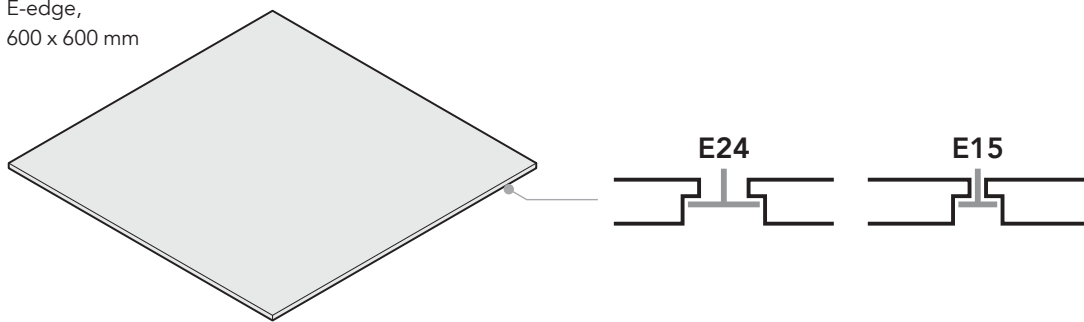
Possible dimensions 600, 1200, 1800, 2400, 3000 and 3600 mm

## Compatible tile overview

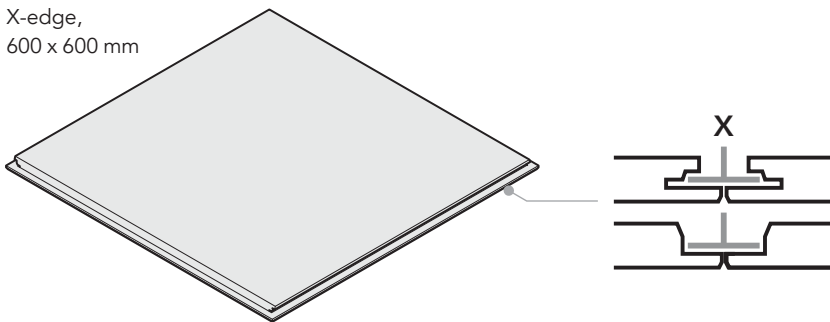
A-edge,  
600 x 600 mm



E-edge,  
600 x 600 mm













X-edge,  
600 x 600 mm

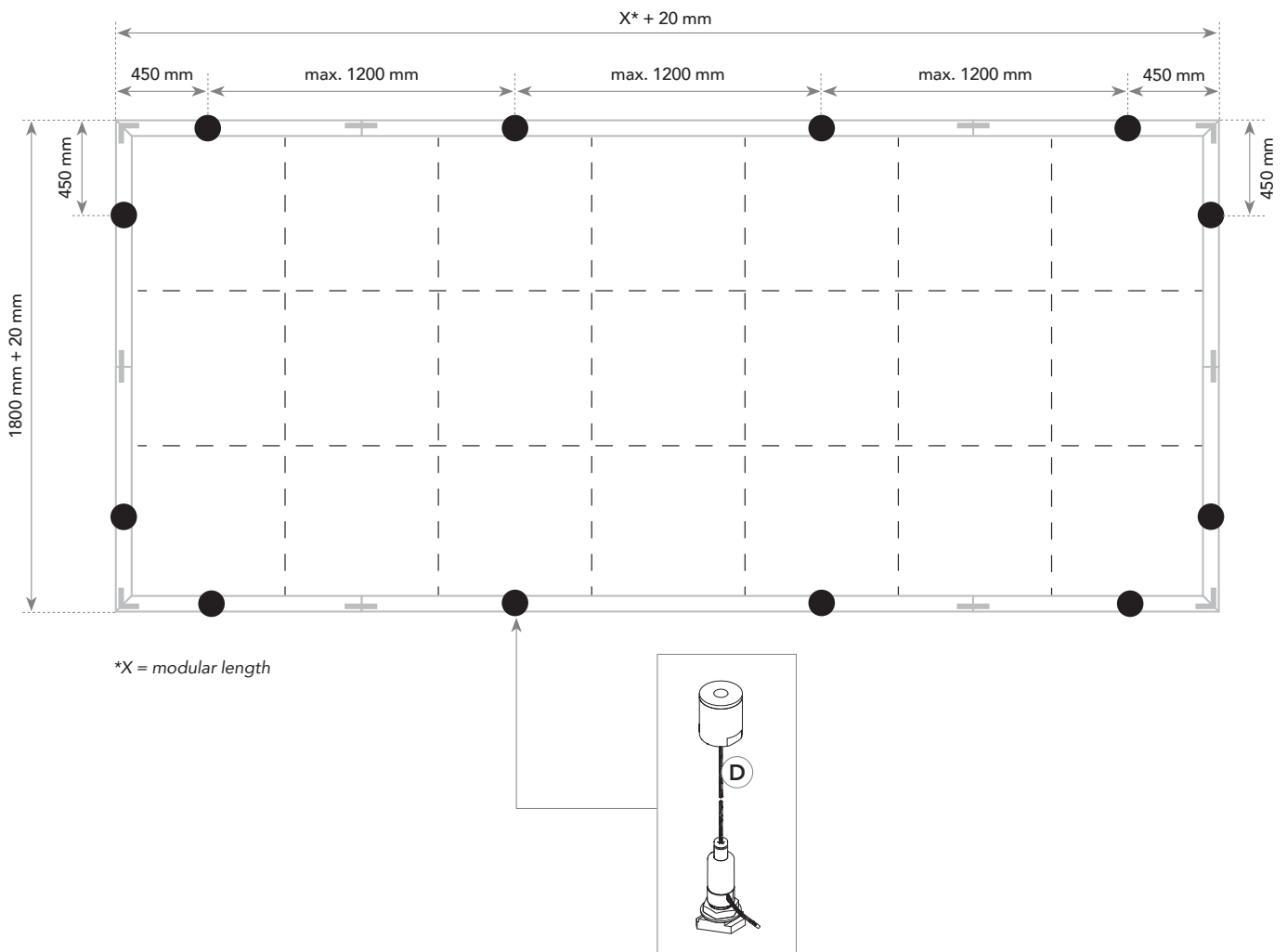


# Installation

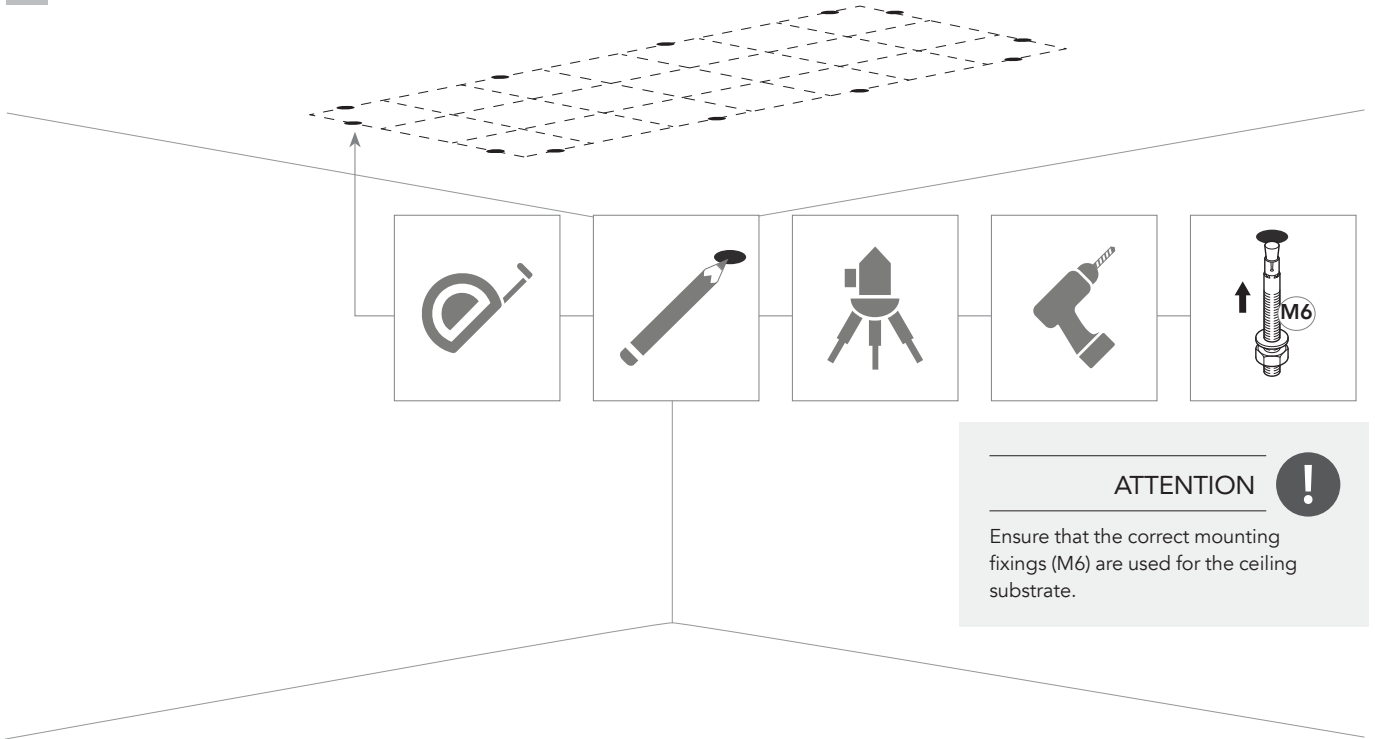
## Tool List

| Tools | Drill machine   | Screw machine   | Pencil  | Ruler   | Laser   | Metal shears  | Level   | Side cutter   | Gloves  | Wrench  |
|-------|---|---|---|---|---|---|---|---|---|---|
|       |  |  |  |  |  |  |  |  |  |  |

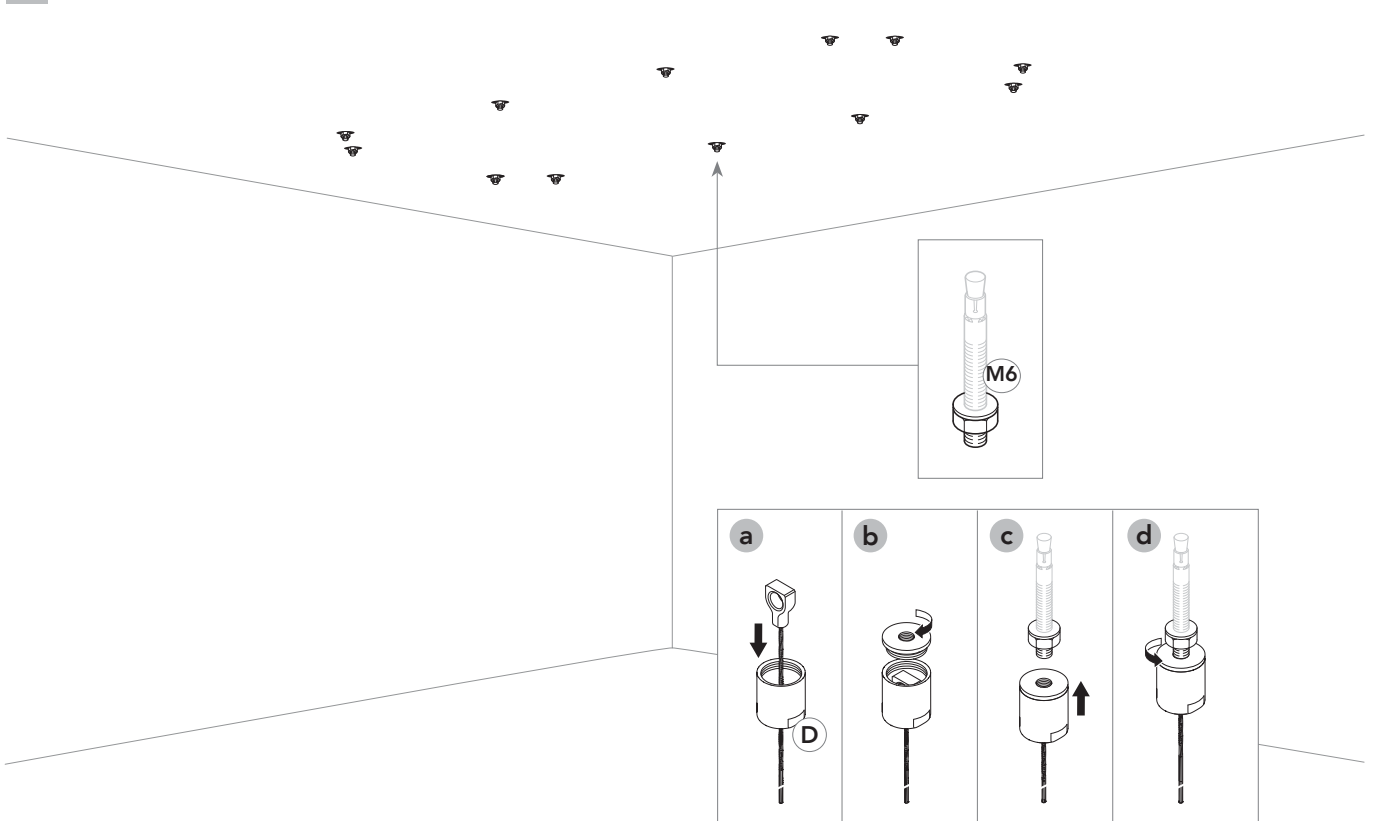
- 1 Define the grid layout incl. suspension points based on the dimensions of the OneFrame.



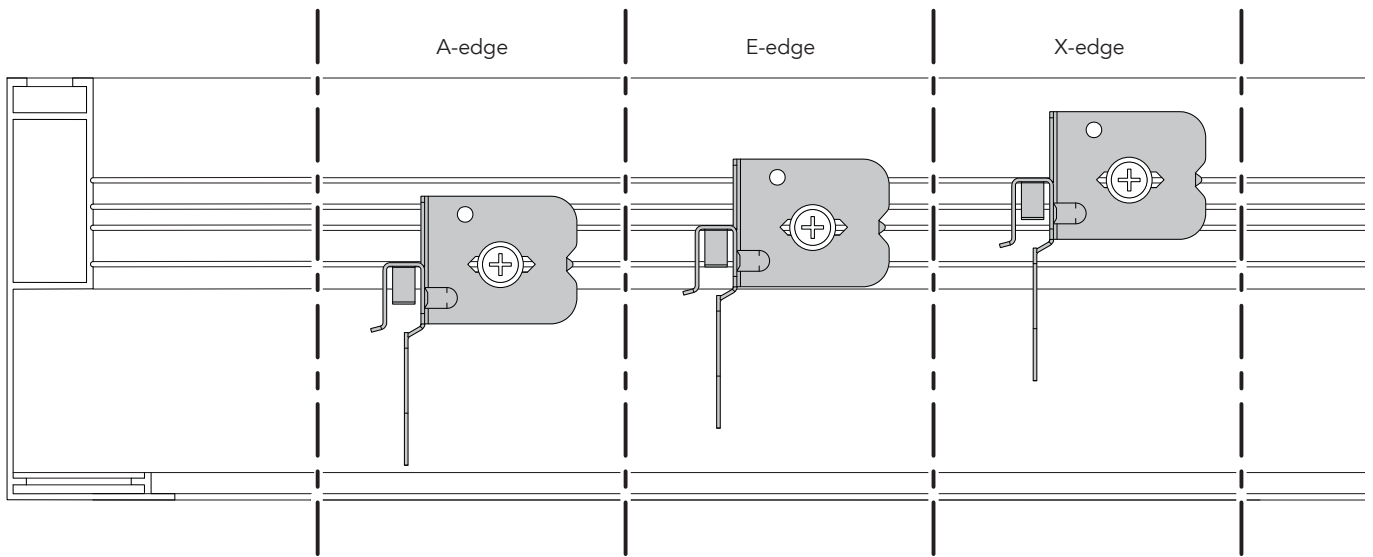
**2** Mark and drill the suspension points in the soffit.



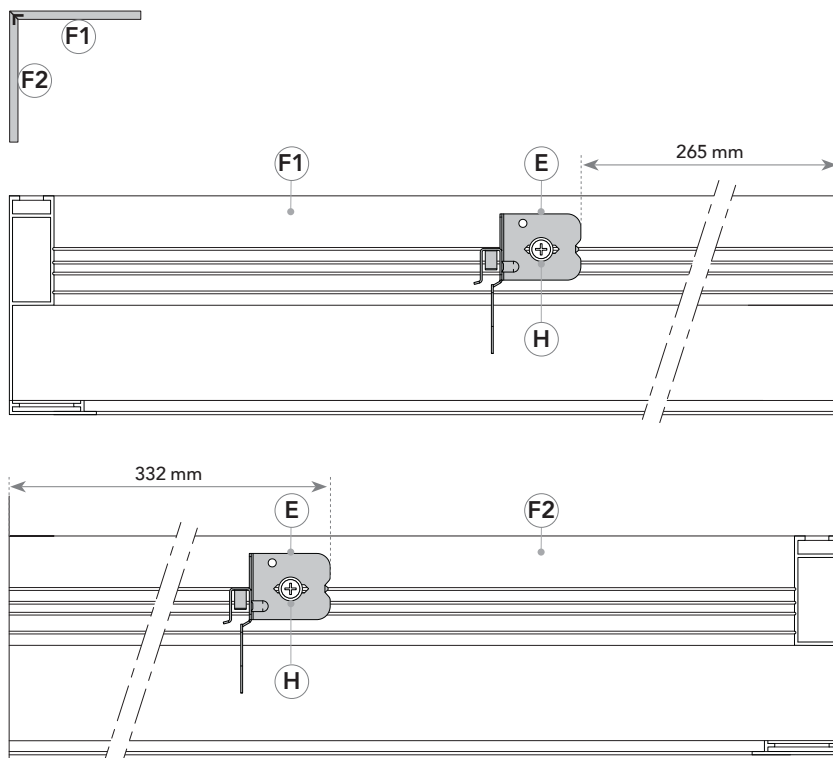
**3** Suspend the OneFrame twisted wire suspensions on the substrate fixings.



- 4 Determine the correct height of the OneFrame frame to grid clip, depending on the tile edge.



- 5 Install the OneFrame frame to grid clips on the OneFrame corner kit.



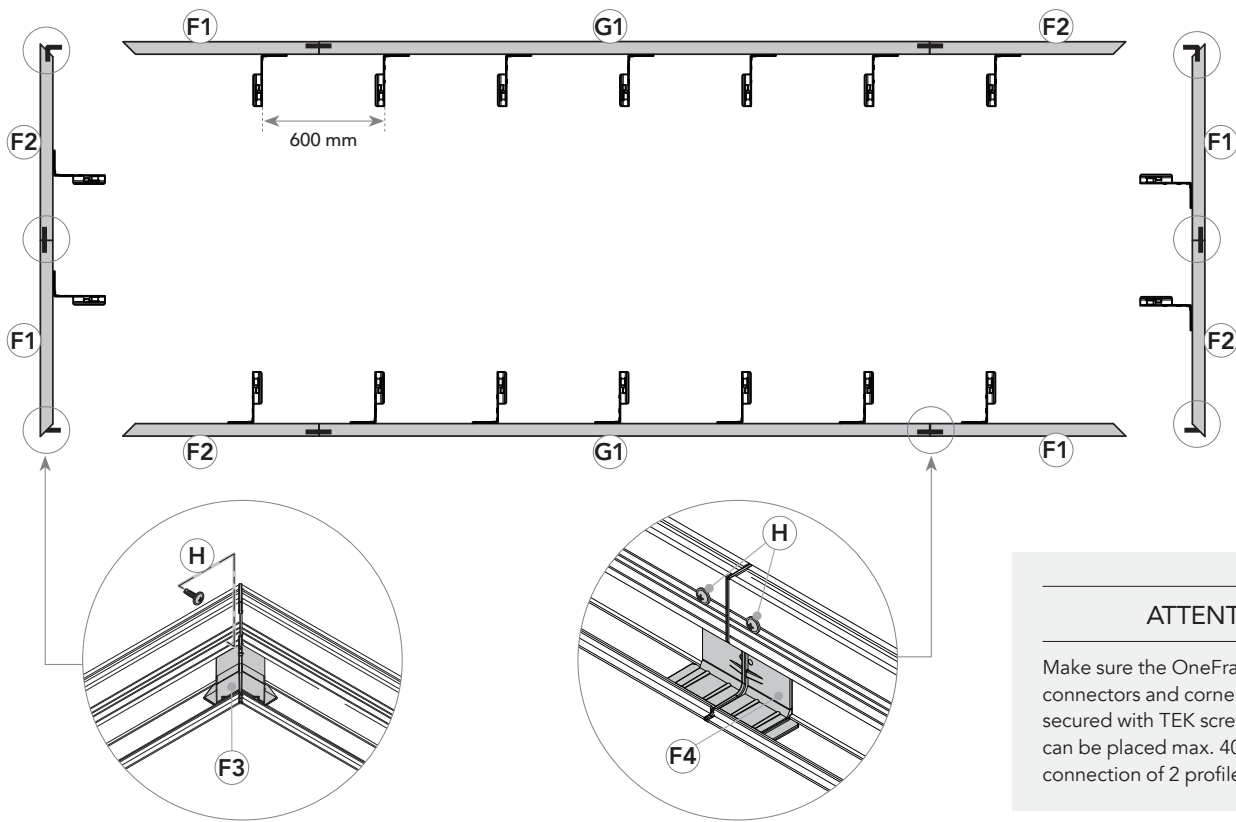
**ATTENTION**



Make sure you take the correct dimensions from the straight end of the corner profile.

- Right corner profile (F1): 332 mm
- Left corner profile (F2): 265 mm

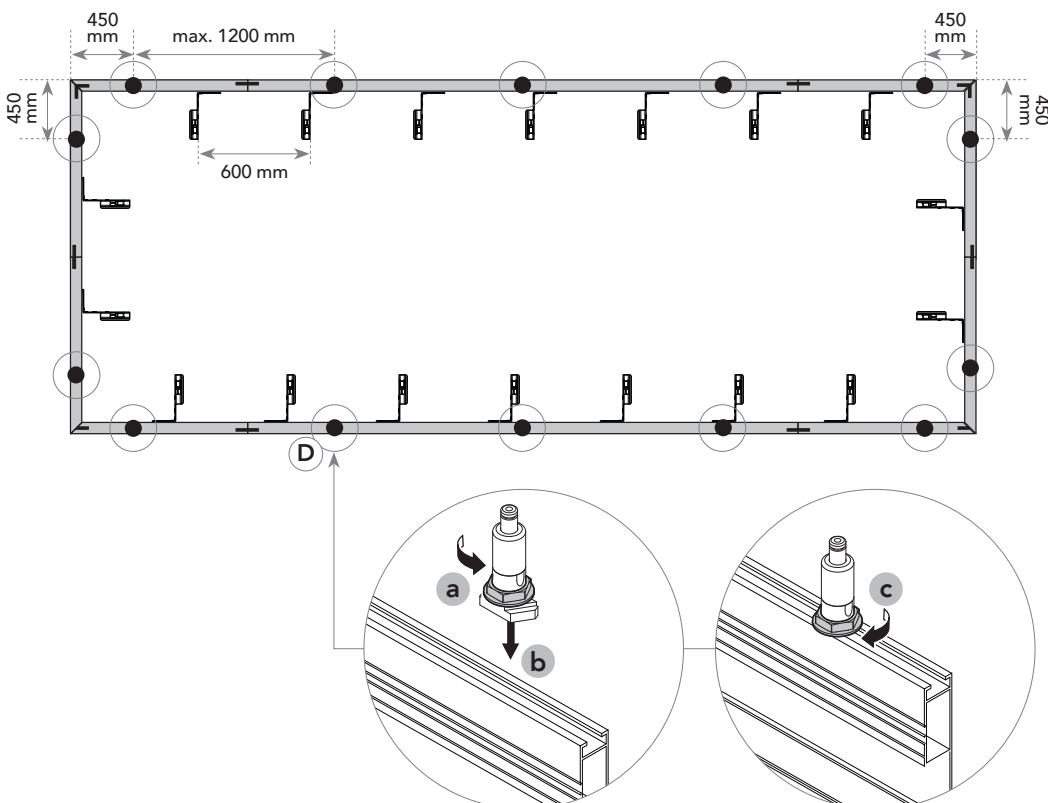
- 6 Connect and close the OneFrame extension and corner profiles with the length connectors, corner pieces and TEK screws.



**ATTENTION** !

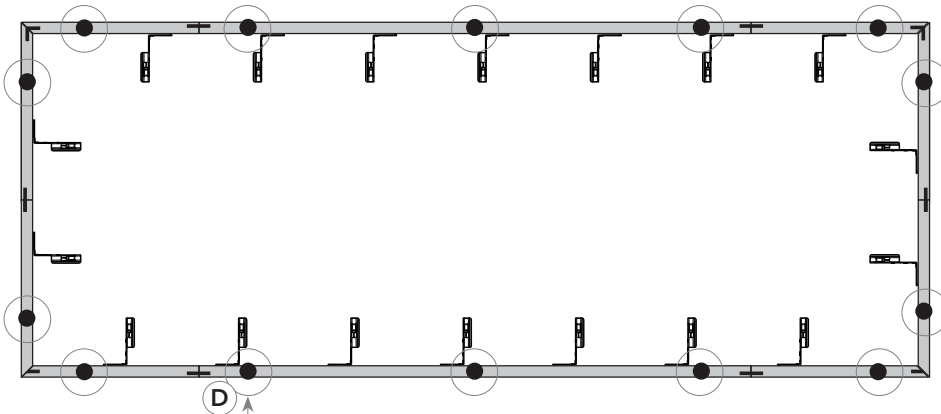
Make sure the OneFrame lengths connectors and corner pieces are secured with TEK screws. Screws can be placed max. 40 mm from the connection of 2 profiles.

- 7 Install OneFrame twisted wire suspension.

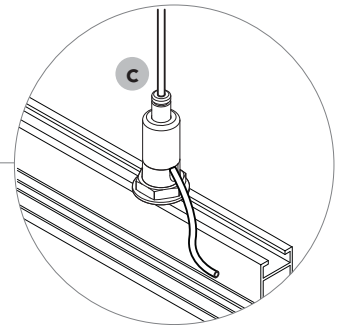
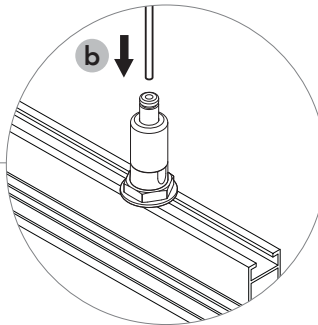
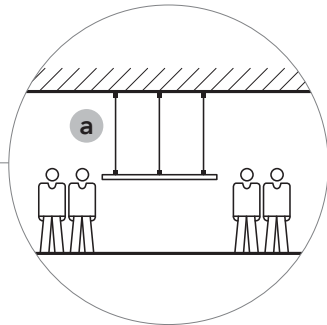


- a. Put OneFrame twisted wire suspension into the OneFrame.
- b. Twist it 90°.
- c. Tighten the lock nut to secure the connection.

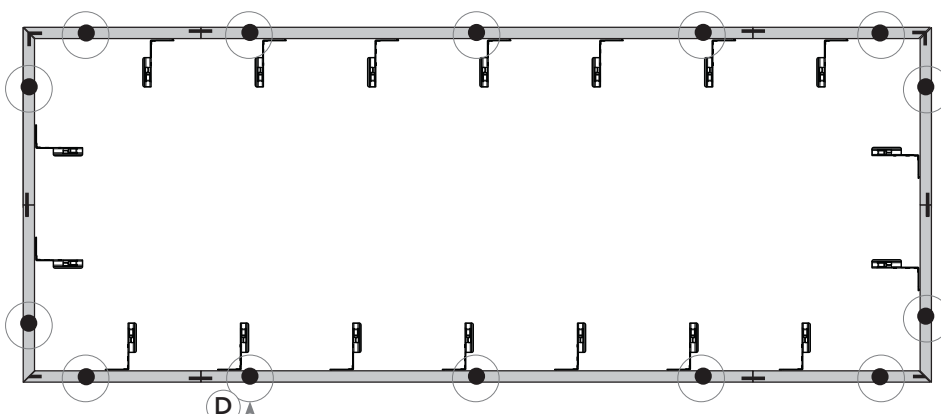
**8** Lift OneFrame up to eye level.



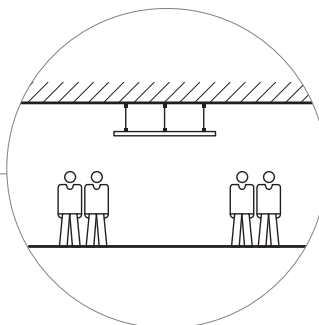
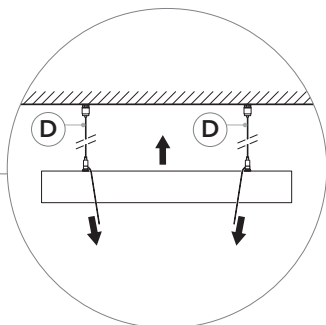
- a. Lift OneFrame with minimal 4 people up to eye level.
- b. Feed the wire through the OneFrame connector.
- c. The wires will be locked automatically.



**9** Lift OneFrame to the intended height.



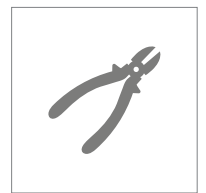
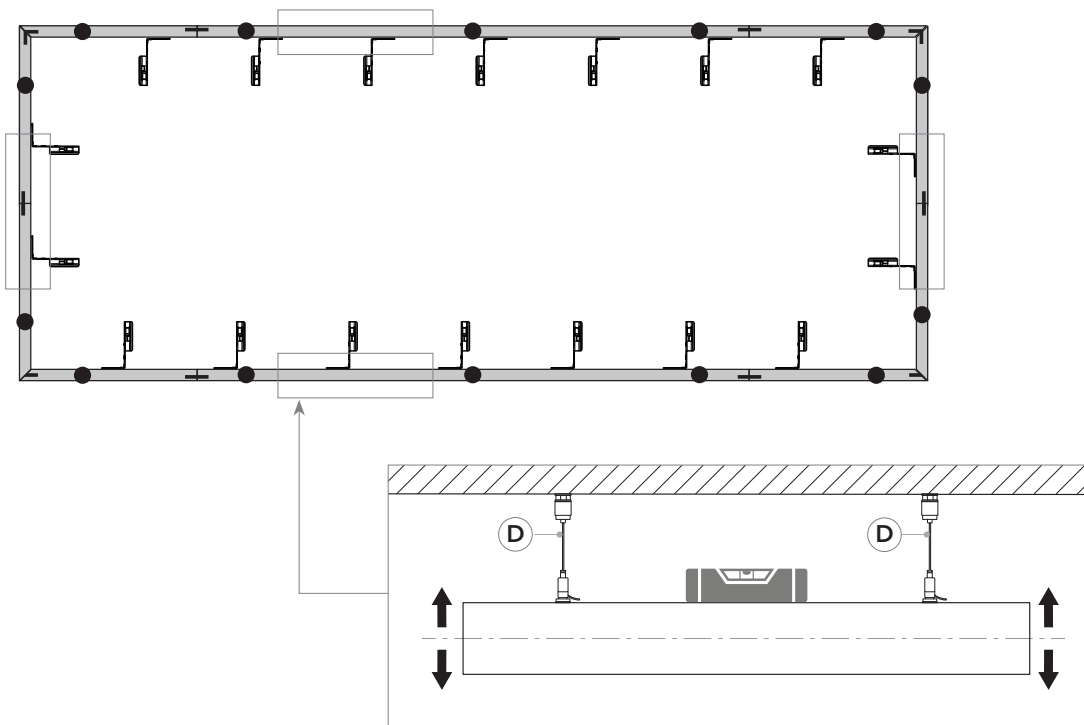
Hang the OneFrame with 4 persons, step by step at the intended height.



**ATTENTION**

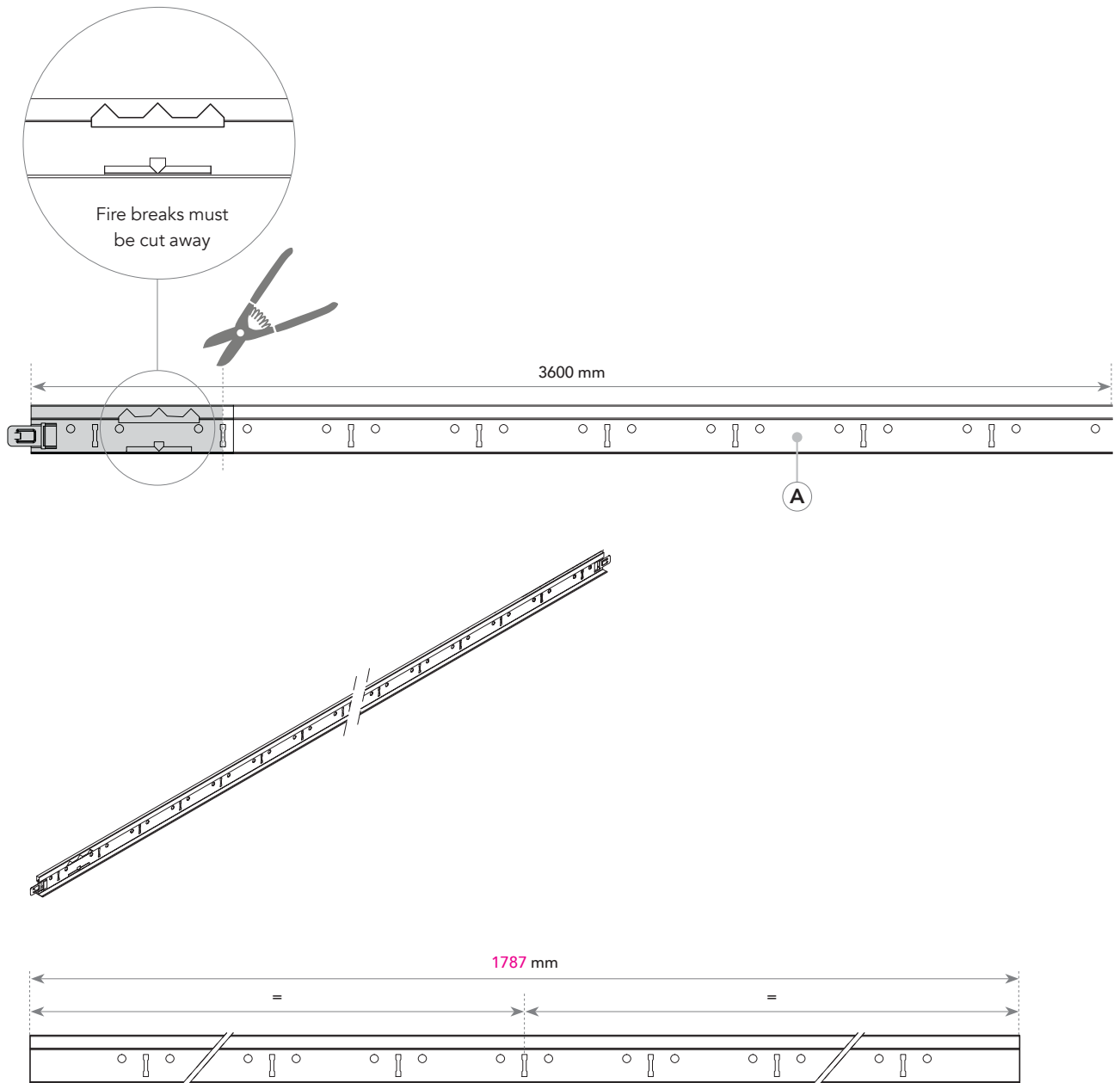
Min. installation depth 140 mm.

10 Check the frame with a level.



Over-length wire can be cut away with side cutter.

11 Cut your main runners to the correct length.



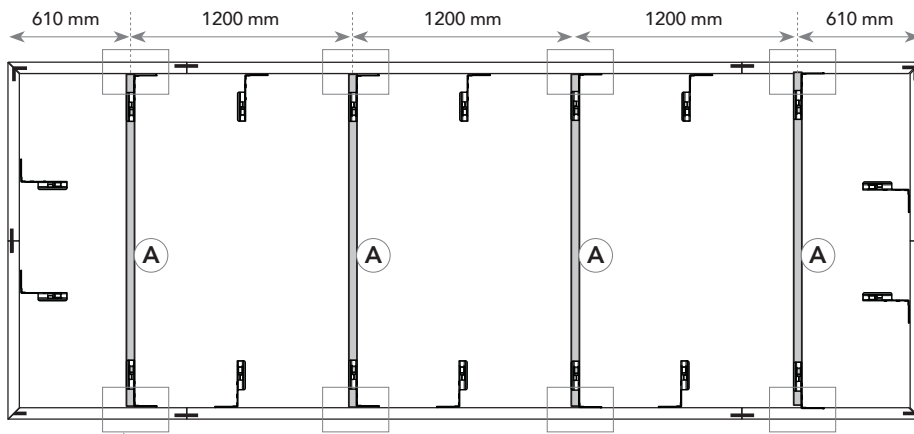
Cut the main runner at a total length of **1787 mm**. Make sure slots are equally divided measuring from the middle of the main runner.

**ATTENTION**



Make sure the profile is cut straight. Not under an angle like with standard ceilings.

12 Install the main runners.

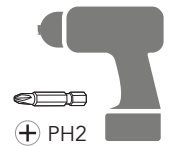
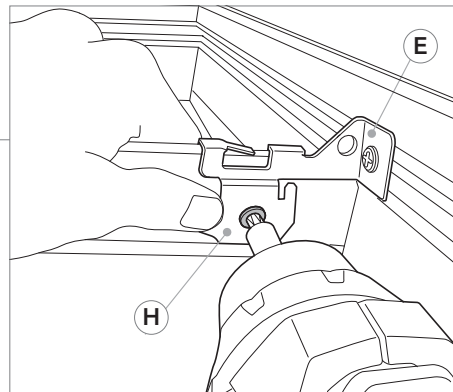
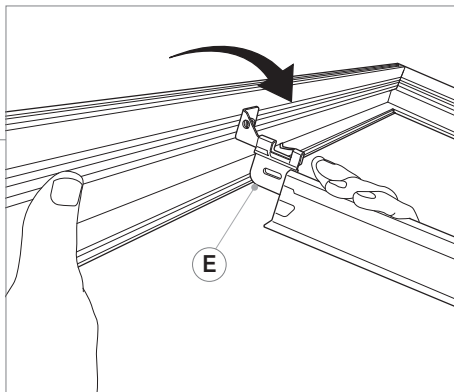


ATTENTION

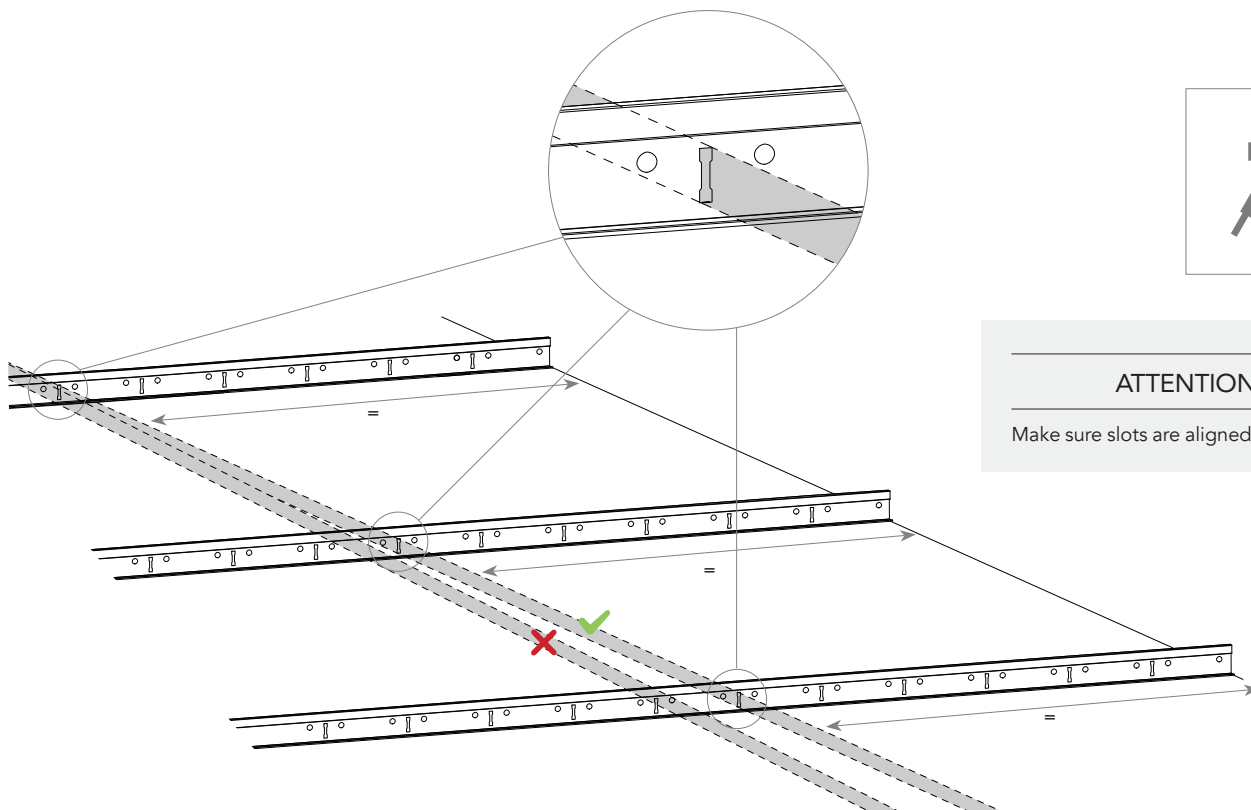


Make sure once you fix the main runner on the OneFrame profiles, the main runner should be blocked against the frame.

Alignment of the frame can be done by loosening the screw and push the frame into the correct position.



+ PH2

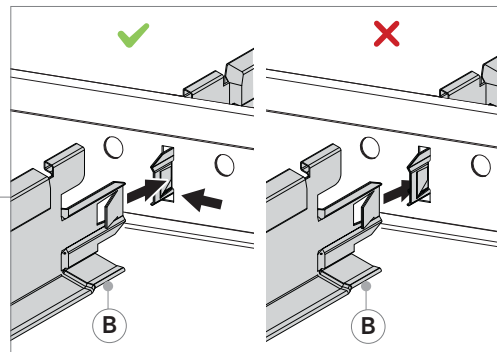
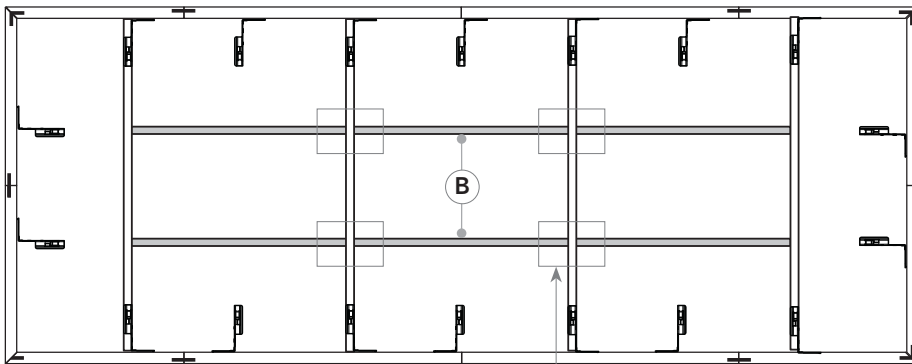


ATTENTION



Make sure slots are aligned.

13 Install the 1200 mm cross tees.

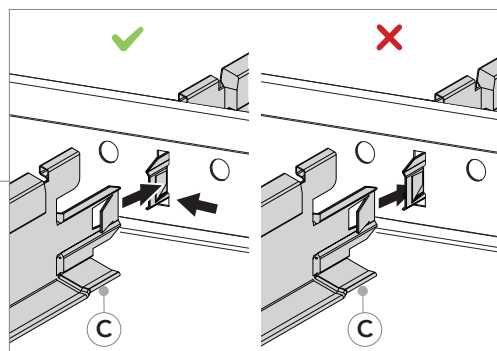
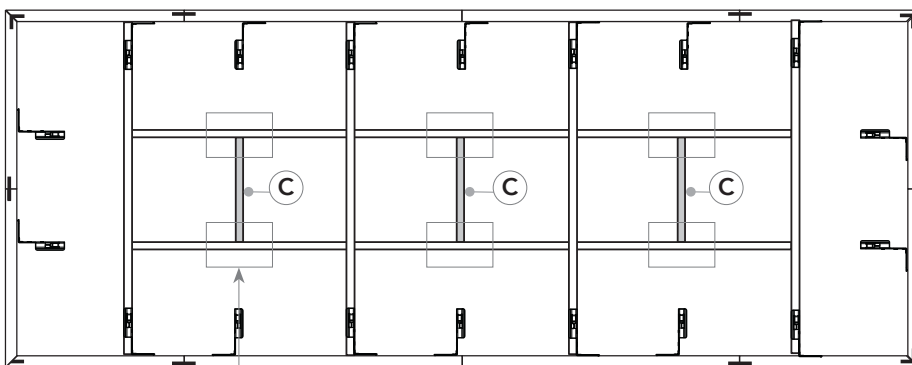


**ATTENTION**



Make sure the cross tree are mounted correctly together. Always add the cross tee to the right side of the opposite one.

14 Install the 600 mm cross tees.



**ATTENTION**

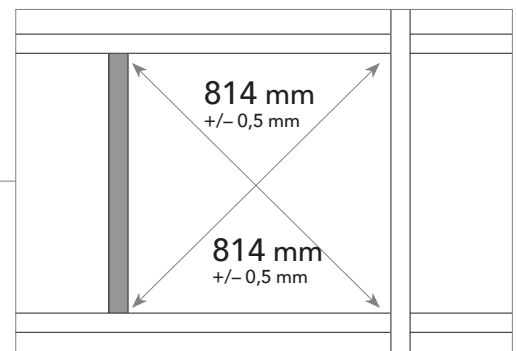


Make sure the cross trees are mounted correctly together. Always add the cross tee to the right side of the opposite one.

**ATTENTION**



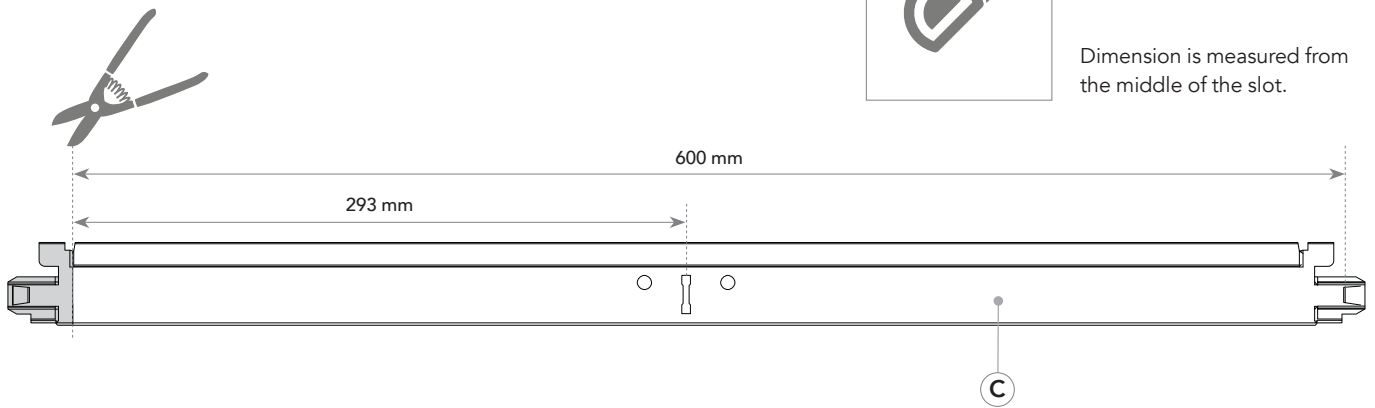
Make sure your grid is square.



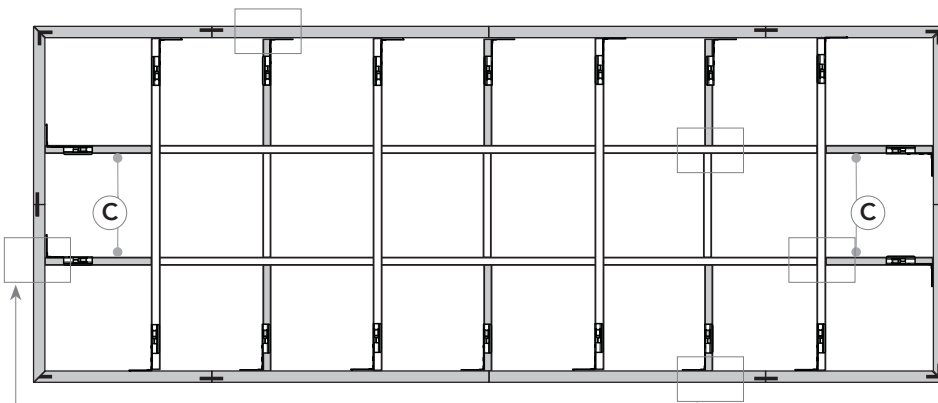
15 Cut the remaining cross tees to the correct length.



Dimension is measured from the middle of the slot.



16 Install the remaining inner 600 mm cross tees.

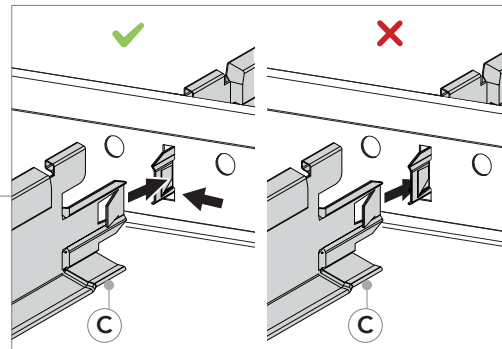
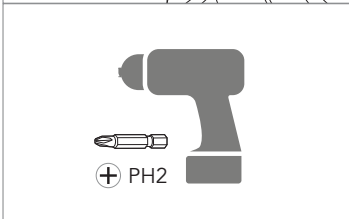
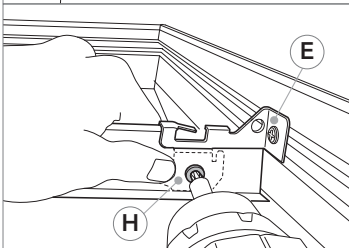
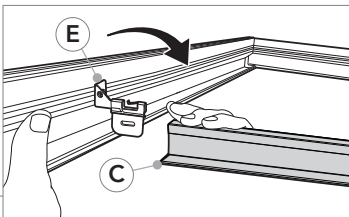


Slide cross tee onto grid clip, up to the OneFrame.

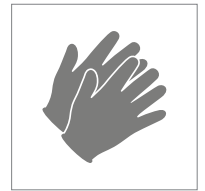
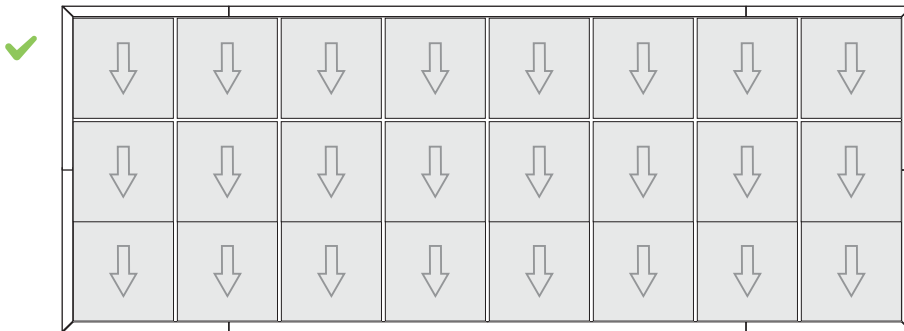
**ATTENTION**



Make sure the cross tees are mounted correctly together. Always add the cross tee to the right side of the opposite one.



17 Complete the installation with installing the tiles.



**RECOMMENDATIONS**



If an arrow is visible on the backside of the tile, put them in the same direction.



# Sounds Beautiful

